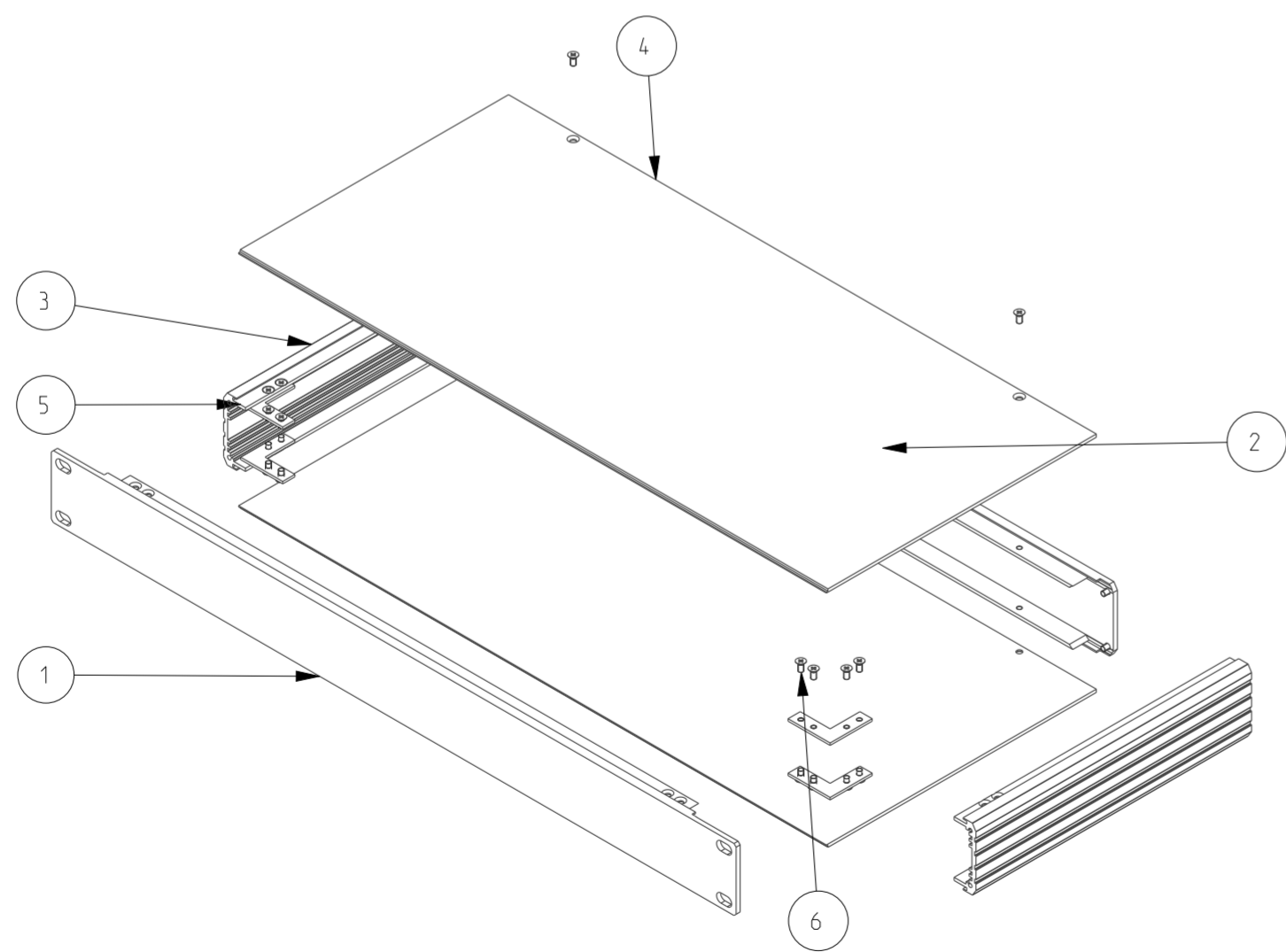
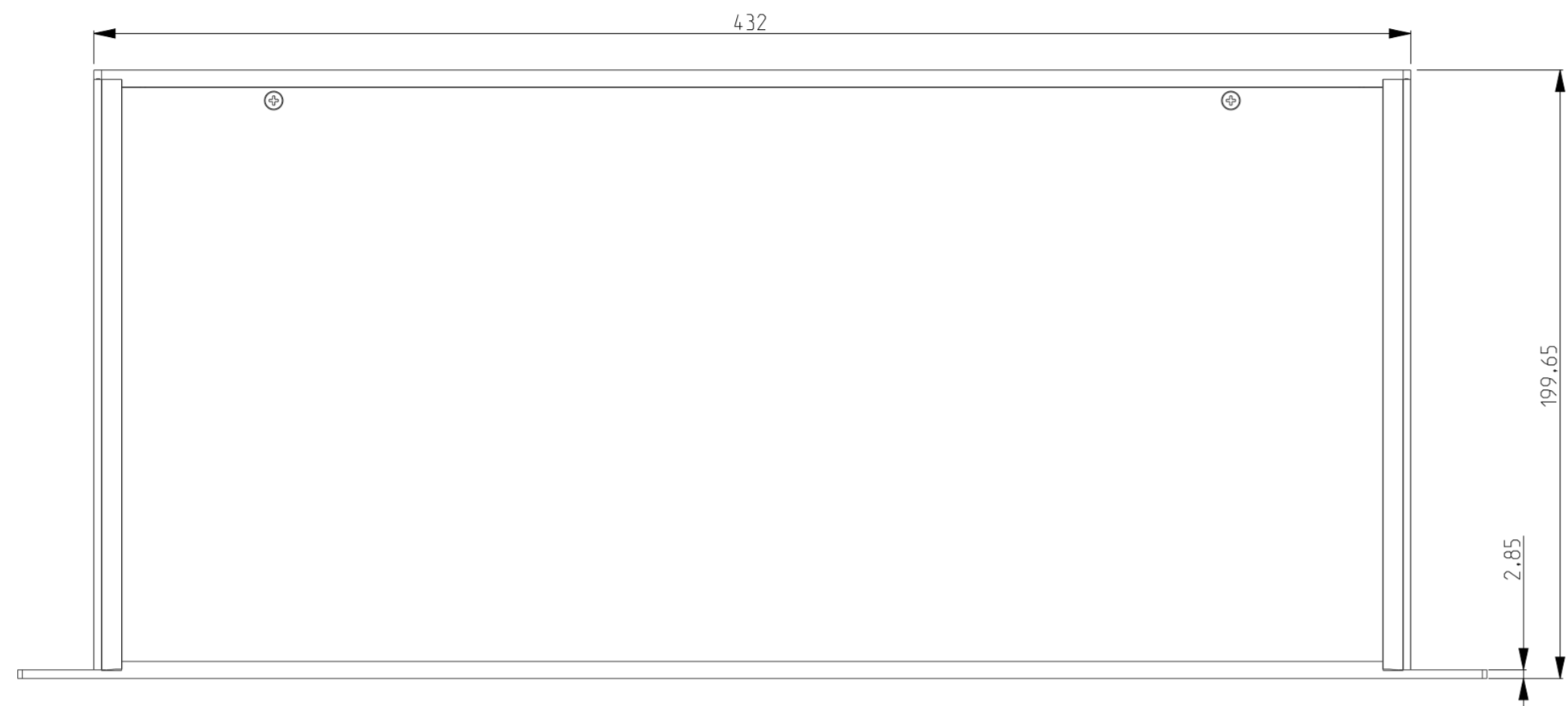
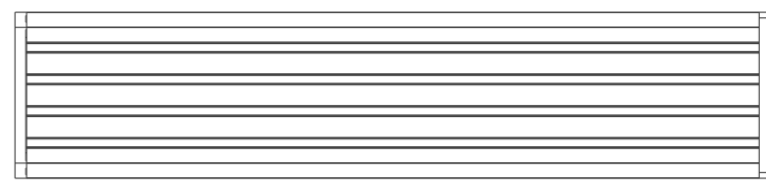
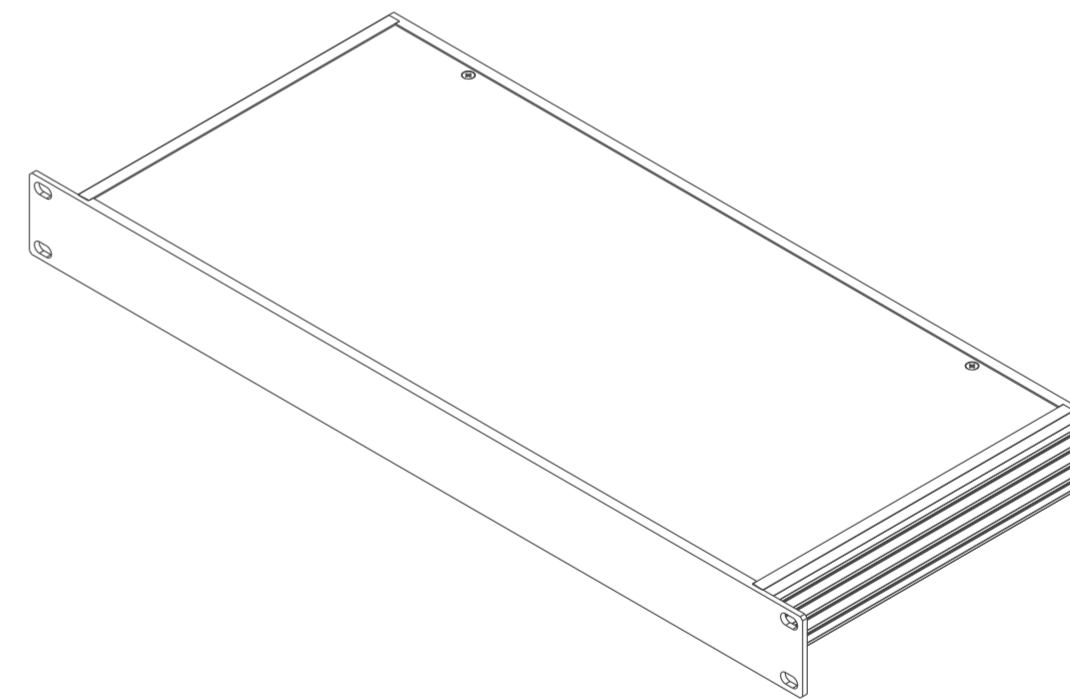


SCALE 1:2



SCALE 3:10



SCALE 3:10

ALL PARTS MADE OF ALUMINUM - SANDBLASTED - ANODIZED BLACK COLOR  
ALL SCREWS INCLUDED - STAINLESS STEEL

ITEM	PART NR.	PART NAME	QTY
1	D1001511	FRONT	1
2	D1001512	REAR	1
3	D1001513	SIDE	2
4	D1001515	TOP	2
5	D1001517	L-PLATE	4
6	SCREW_DIN965_M3X6_STZB	SCR DIN 965	24

INDEX	CHANGE	DESCRIPTION OF MODIFICATION	DATE	NAME
00		ARTICLE CREATION	24/03/19	NIME
		ALL DIMENSIONS ARE IN MM	SCALE	MATERIAL
		General Tolerances ISO2768mK	1:1	WEIGHT (Kg)
				0.0
		PROJECTION TYPED	PART NAME	
			LAYOUT	
			PROJECT	
			19 INCH RACK MODULE 1U	
			D1001510	
			SHEET 1 OF 1	
			A2	