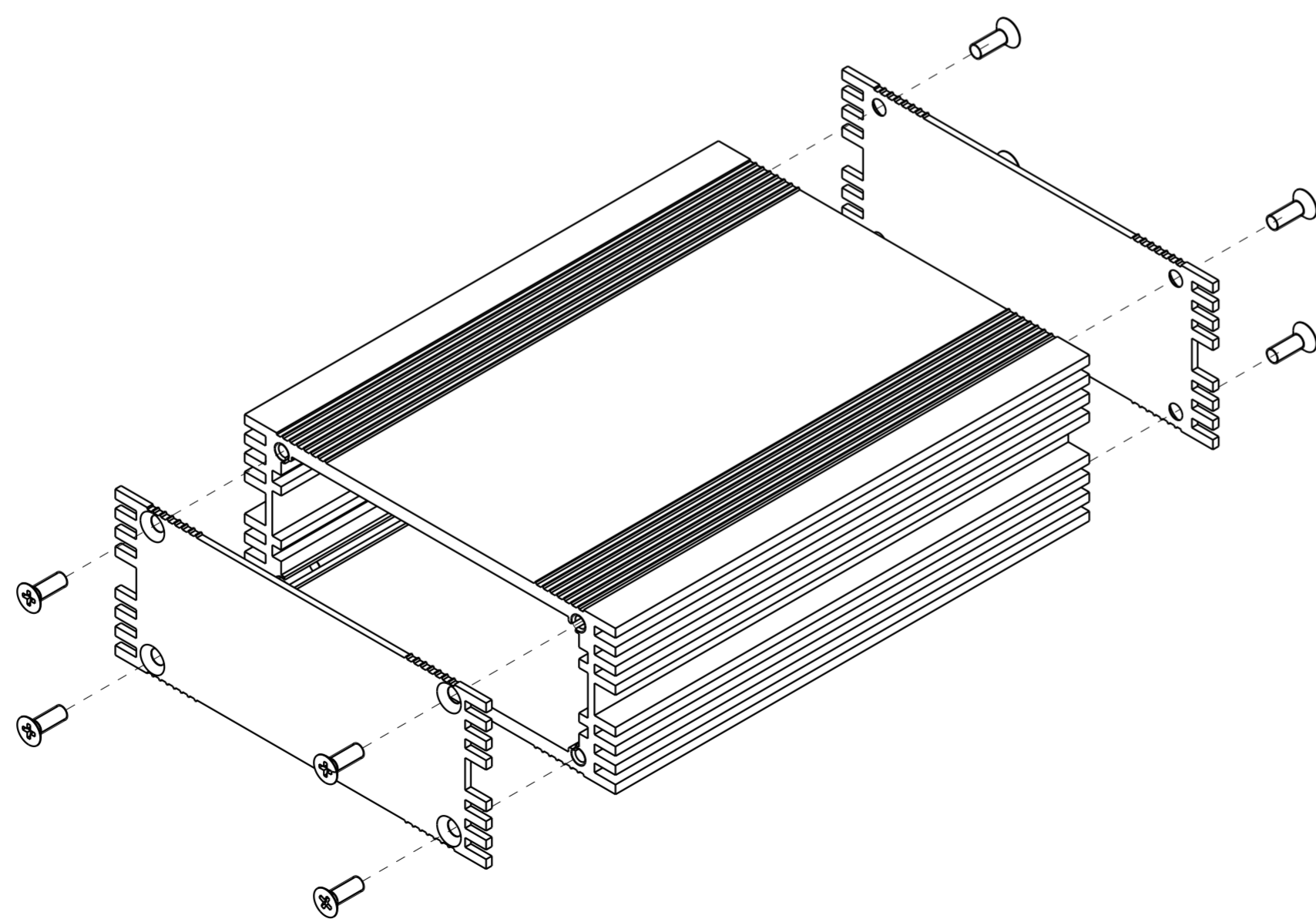
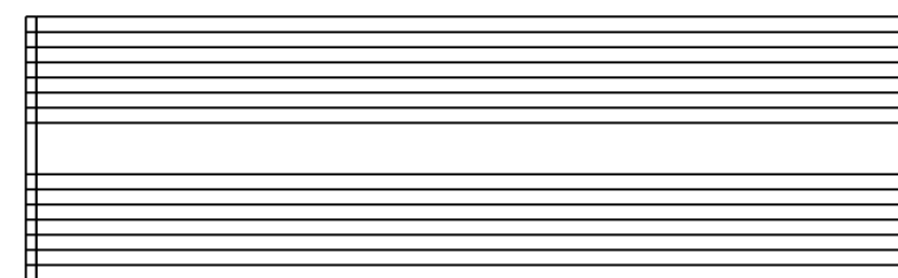
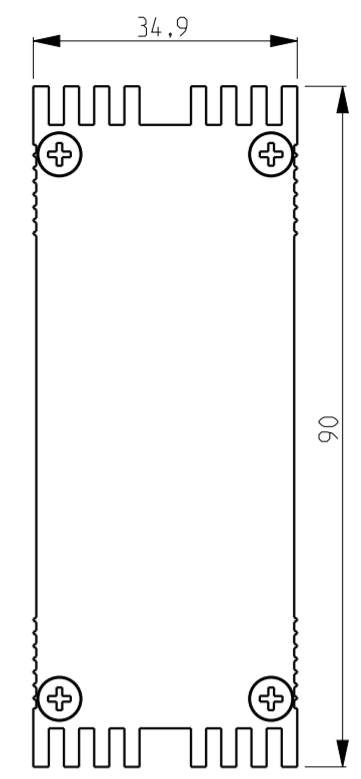
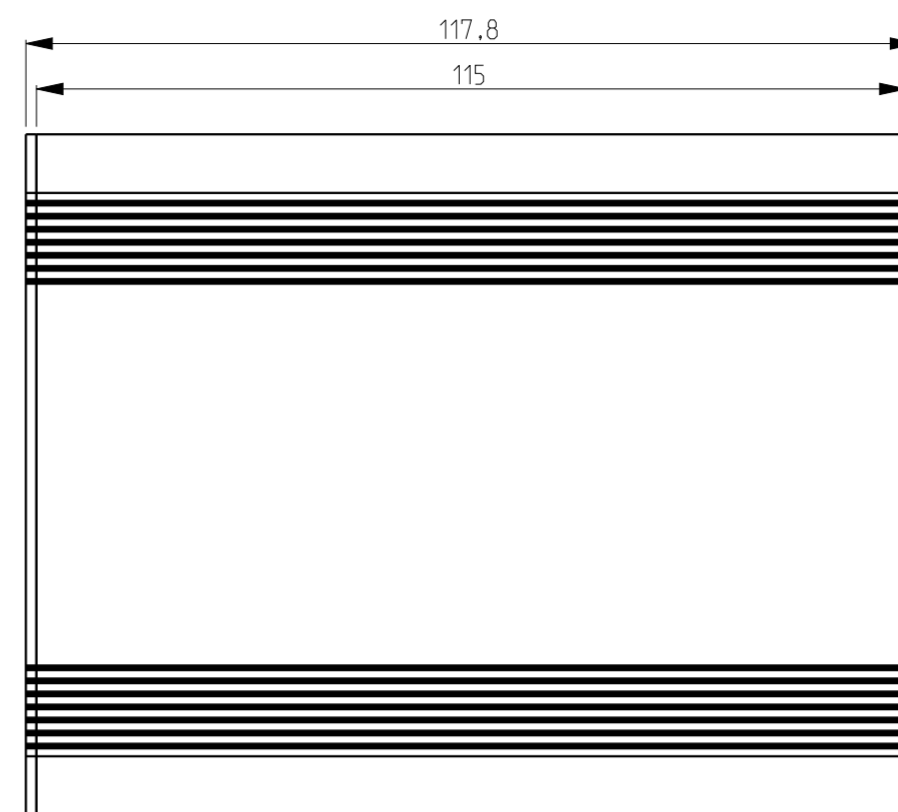


SCALE 2:1



Material: aluminum
 Finish: sandblasted or brushed
 Coating: anodized
 Color: black

00		ARTICLE CREATION			15/05/20	NIME
INDEX	CHANGE	DESCRIPTION OF MODIFICATION			DATE	NAME
ALL DIMENSIONS ARE IN MM						
General Tolerances ISO2768mK						
PROJECTION		SCALE	MATERIAL	WEIGHT (Kg)		
1:1		1:1				
Nin.	0.5	30	120	315	PART NAME	J25-90W35H115L
Dim.	30	120	315	1000	PROJECT	ALUMINUM HOUSING SET
Tol.	±0.2	±0.3	±0.5	±0.8		
					METRON TECHNICS	D1001460
This document is confidential and may not be made use of by or communicated to third parties without permission of METRON TECHNICS						
					SHEET 1 OF 1	A2