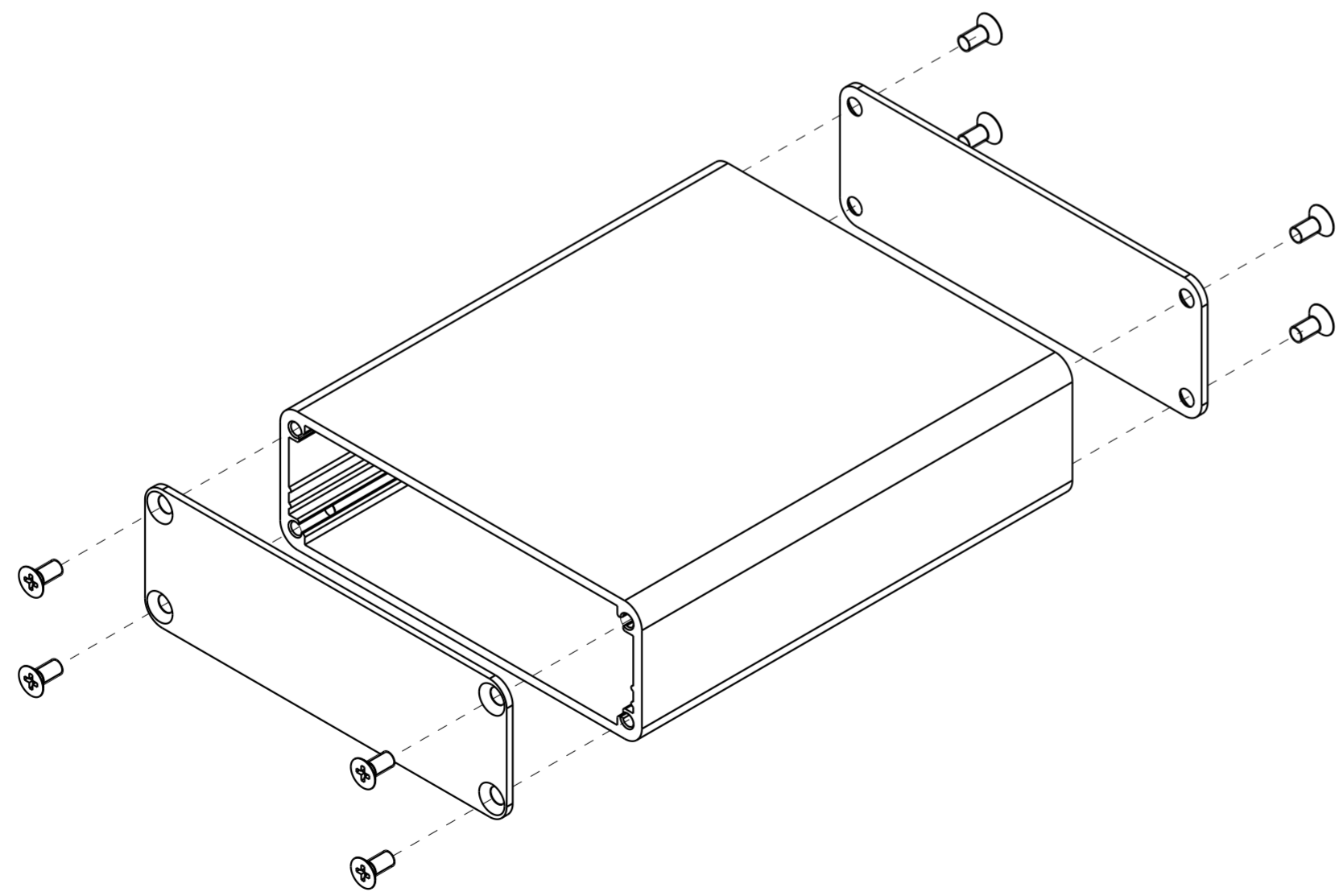
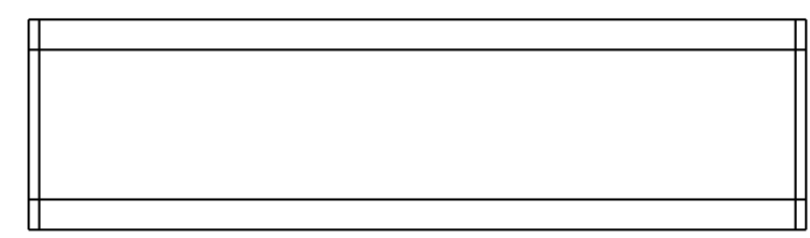
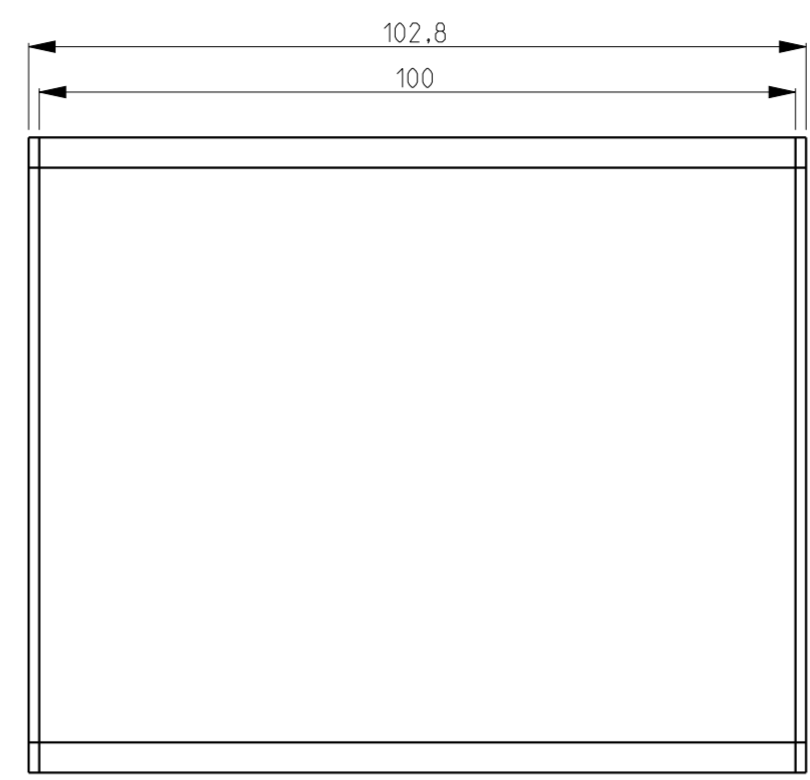


SCALE 2:1



Material: aluminum
 Finish: sandblasted or brushed
 Coating: anodized
 Color: black

00		ARTICLE CREATION			26/05/20	NIME	
INDEX	CHANGE	DESCRIPTION OF MODIFICATION			DATE	NAME	
ALL DIMENSIONS ARE IN MM							
General Tolerances ISO2768mK							
PROJECTION		SCALE	MATERIAL	WEIGHT (Kg)			
1:1		1:1					
Nin.	0.5	30	120	315	PART NAME J24-84W28H100L		
Dim.	30	120	315	1000	PROJECT ALUMINUM HOUSING SET		
Tol.	±0.2	±0.3	±0.5	±0.8	±0.15	±0.25	±0.05
METRON TECHNICS				D1001459			
This document is confidential and may not be made use of by or communicated to third parties without permission of METRON TECHNICS						SHEET 1 OF 1	
						A2	