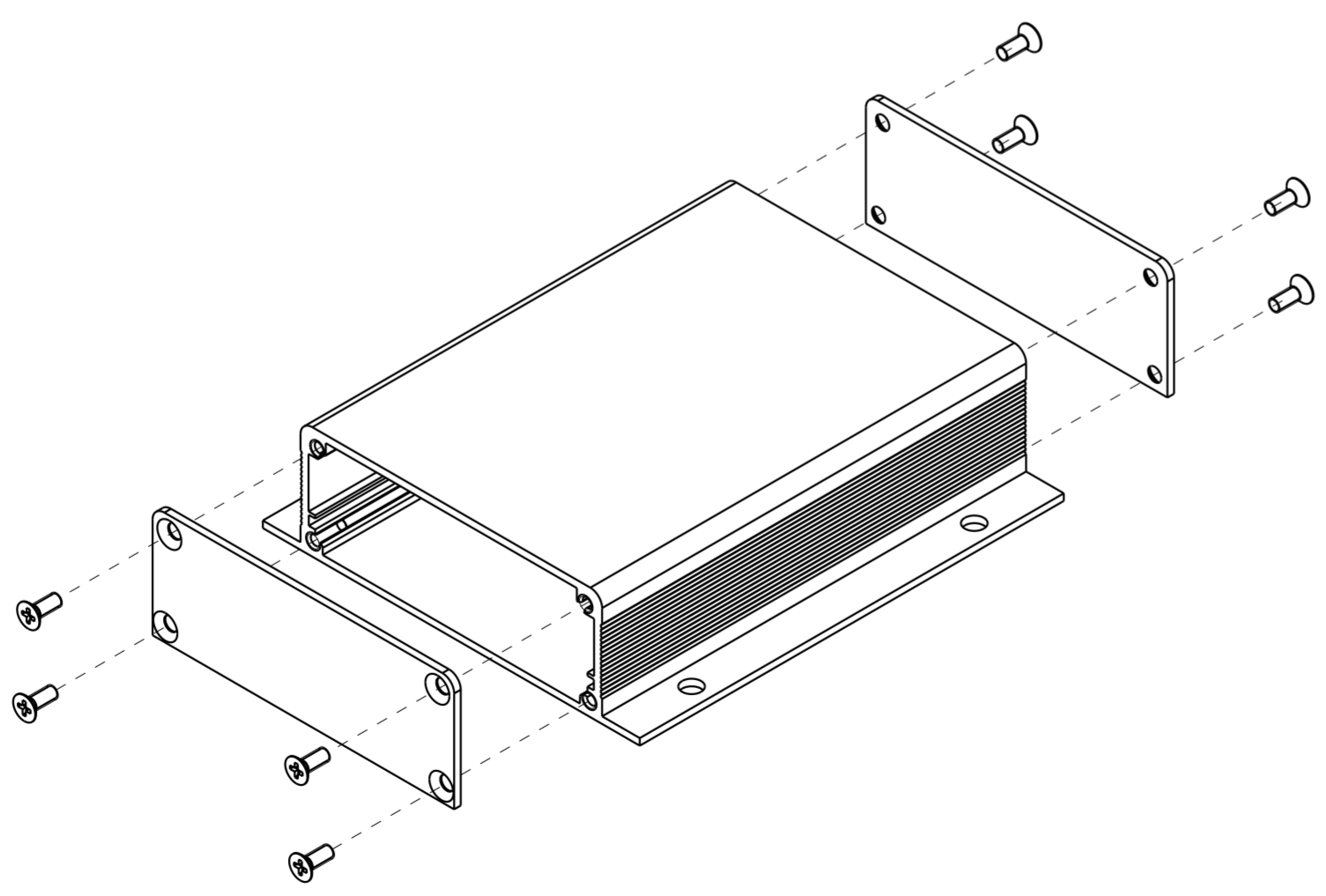
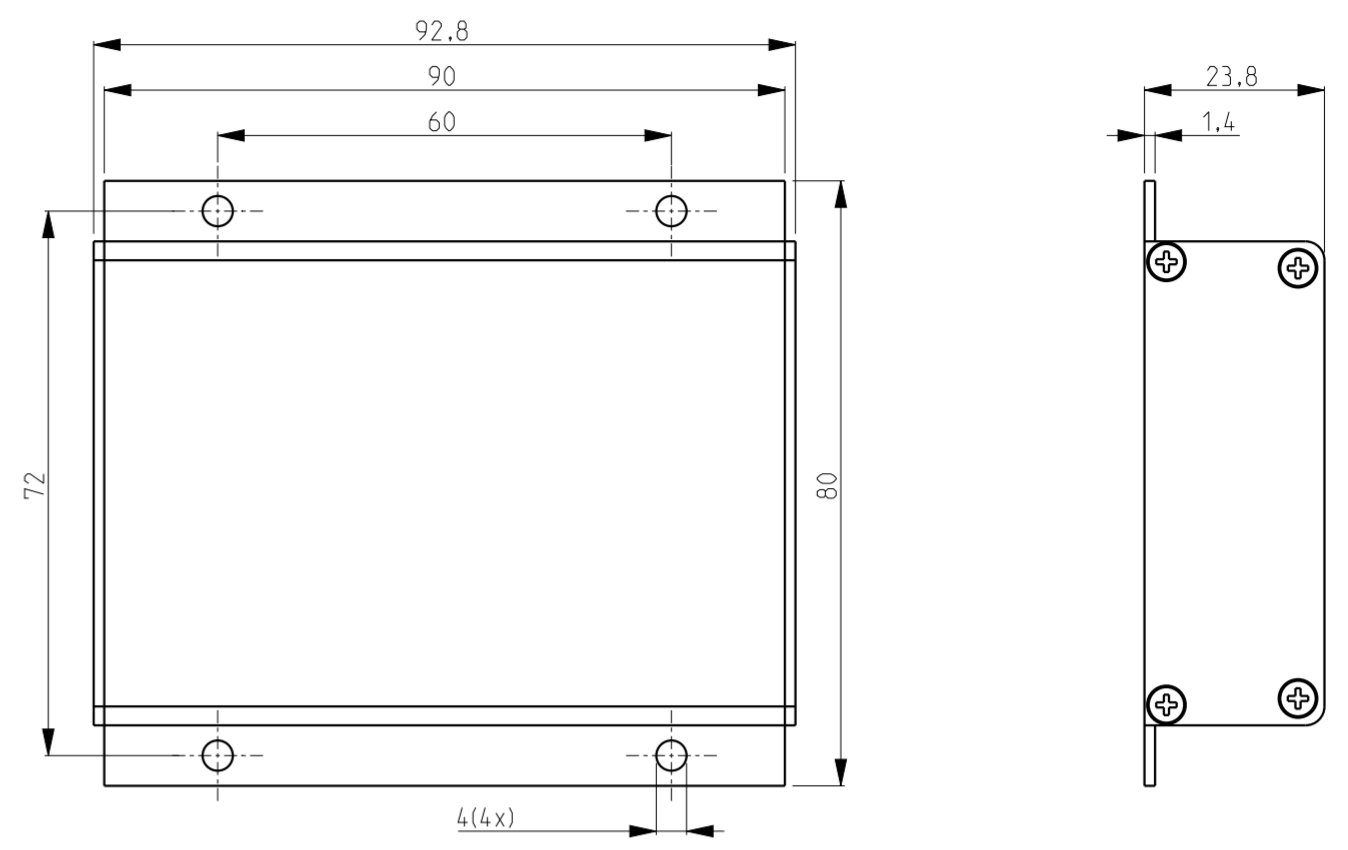


SCALE 2:1



Material: aluminum
 Finish: sandblasted or brushed
 Coating: anodized
 Color: black

00		ARTICLE CREATION			14/05/20	NIME
INDEX	CHANGE	DESCRIPTION OF MODIFICATION			DATE	NAME
ALL DIMENSIONS ARE IN MM						
General Tolerances ISO2768mK						
PROJECTION		SCALE	MATERIAL	WEIGHT (Kg)		
1:1		1:1				
Nin.	0.5	30	120	315	PART NAME	J19-80W23.8H90L
Dim.	30	120	315	1000	PROJECT	ALUMINUM HOUSING SET
Tol.	±0.2	±0.3	±0.5	±0.8		
				±0.15		
				±0.25		
				±0.05		
DAVANTECH			D1001456			
This document is confidential and may not be made use of by or communicated to third parties without permission of Davantech Co., LTD						
SHEET 1 OF 1					A2	