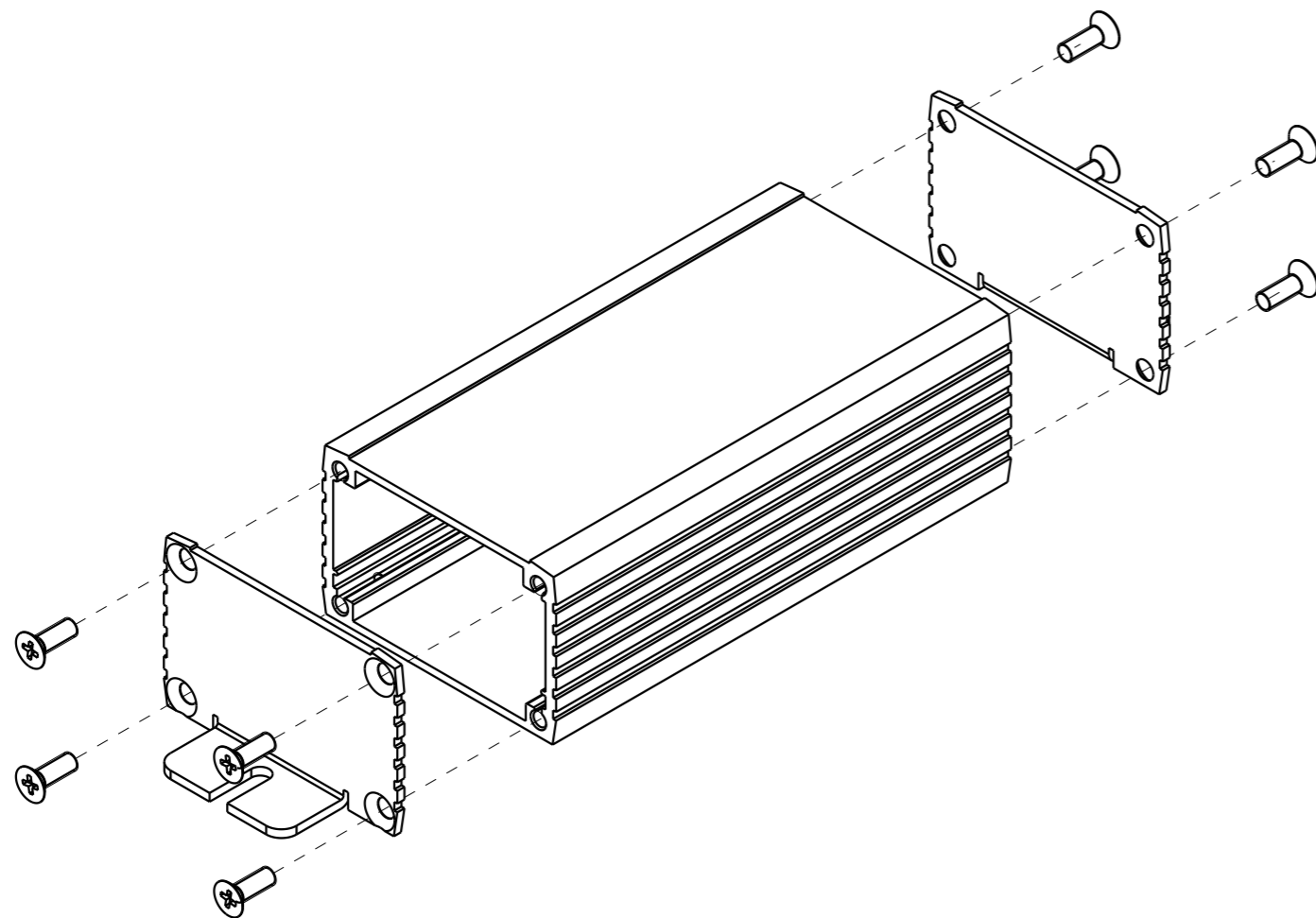
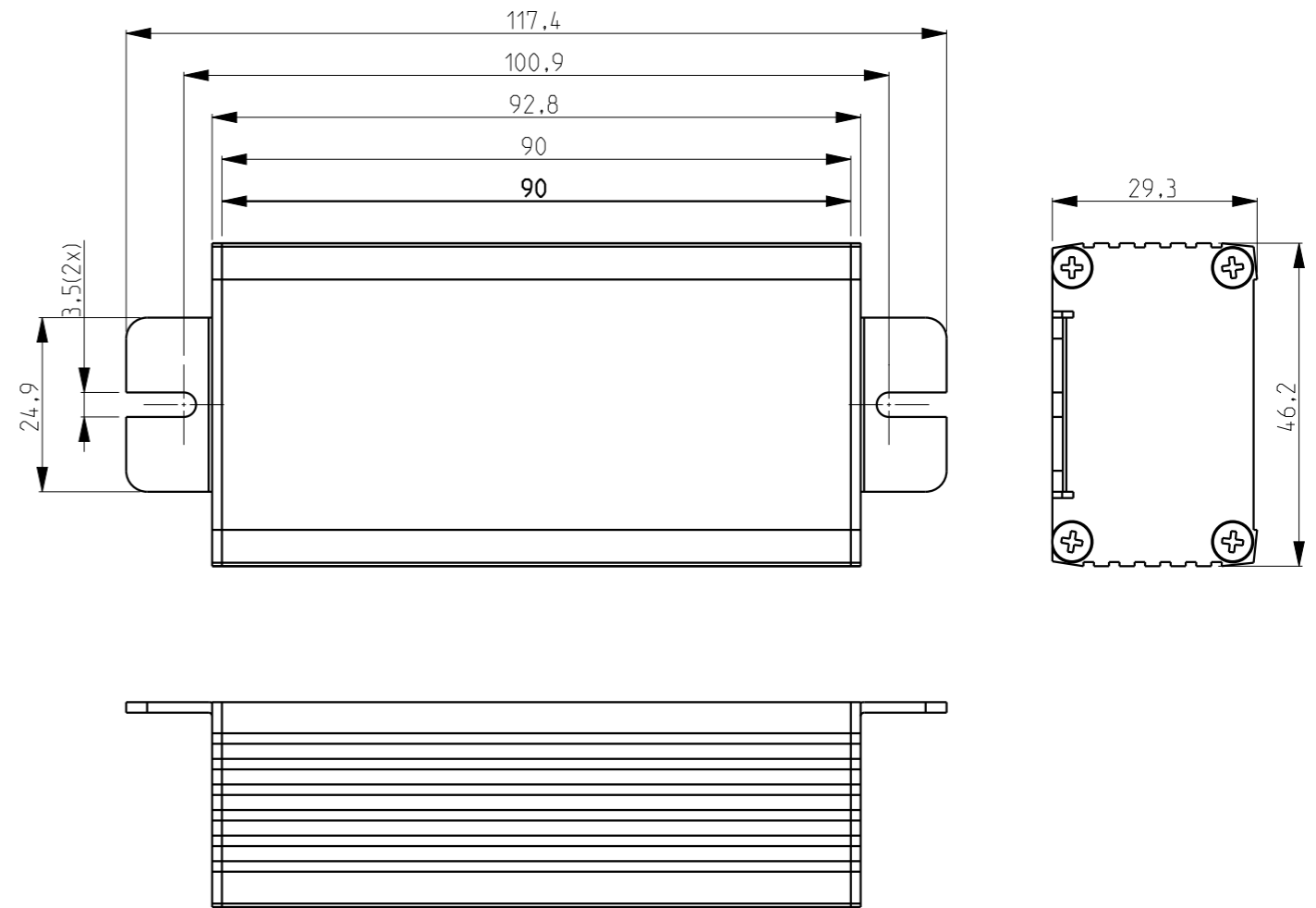


SCALE 2:1



Material: aluminum
 Finish: sandblasted or brushed
 Coating: anodized
 Color: black

00		ARTICLE CREATION				14/05/20		NIME	
INDEX	CHANGE	DESCRIPTION OF MODIFICATION						DATE	NAME
ALL DIMENSIONS ARE IN MM						PROJECTION EURO	SCALE	MATERIAL	WEIGHT (Kg)
General Tolerances ISO2768mK							1:1		
Nin.	0.5	30	120	315			PART NAME J02-46.2W29.6H90L		
Dim.	30	120	315	1000	PUNCH	BEND	MILLING	PROJECT ALUMINUM HOUSING SET	
Tol.	±0.2	±0.3	±0.5	±0.8	±0.15	±0.25	±0.05		
METRON TECHNICS							D1001455		
This document is confidential and may not be made use of by or communicated to third parties without permission of Metron Technics								SHEET 1 OF 1	