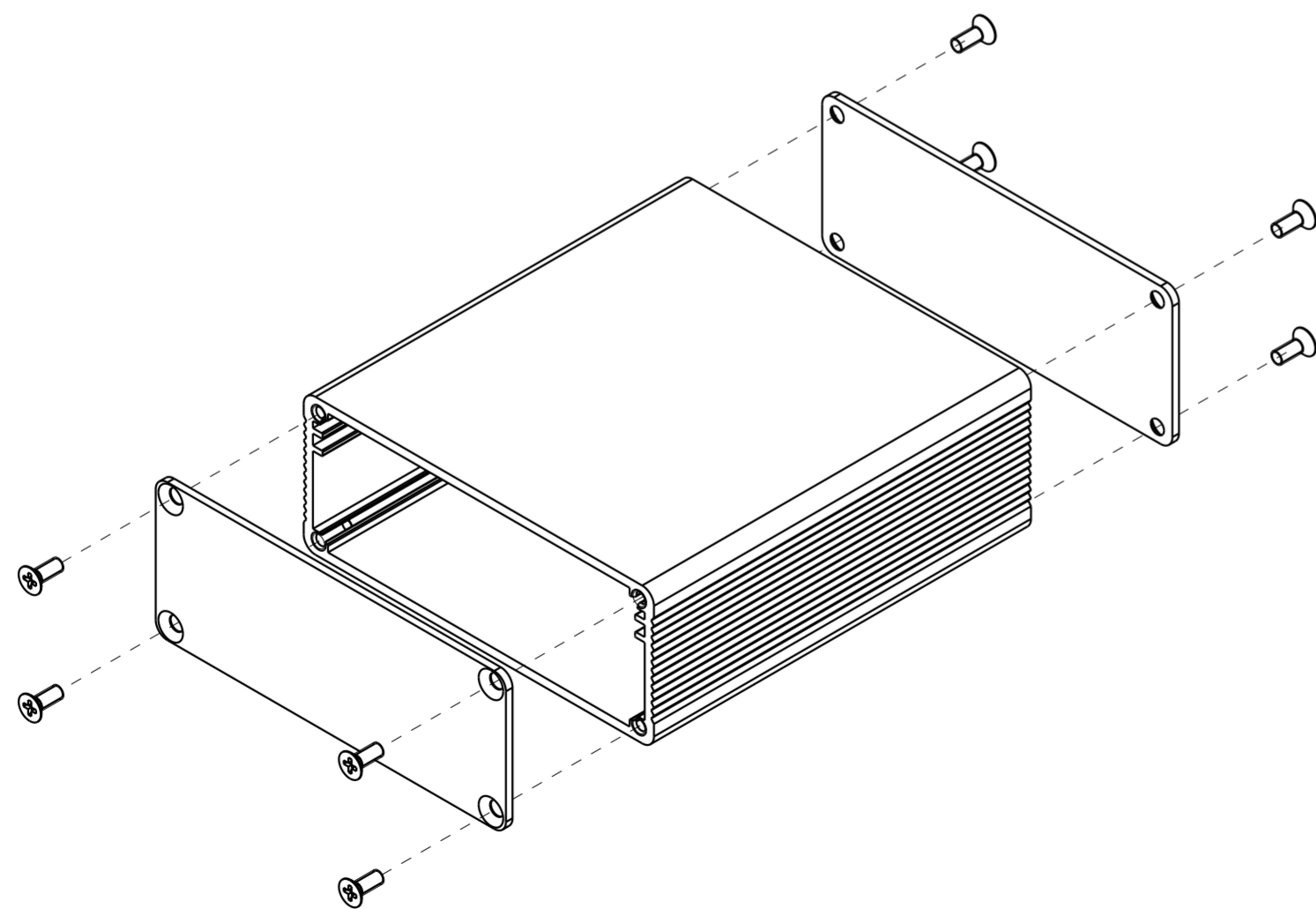
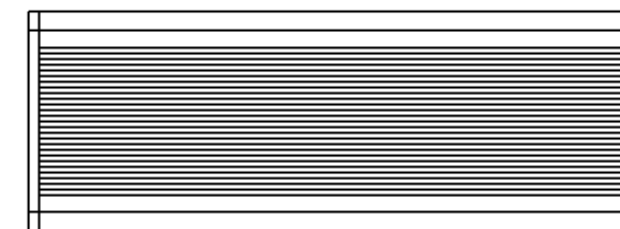
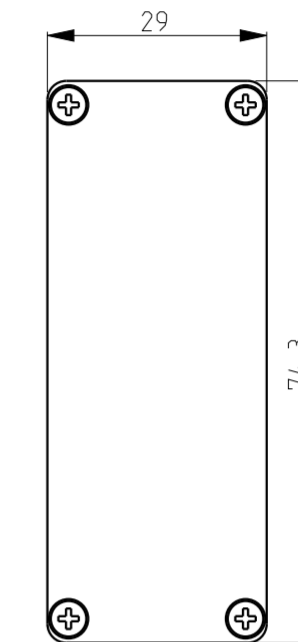
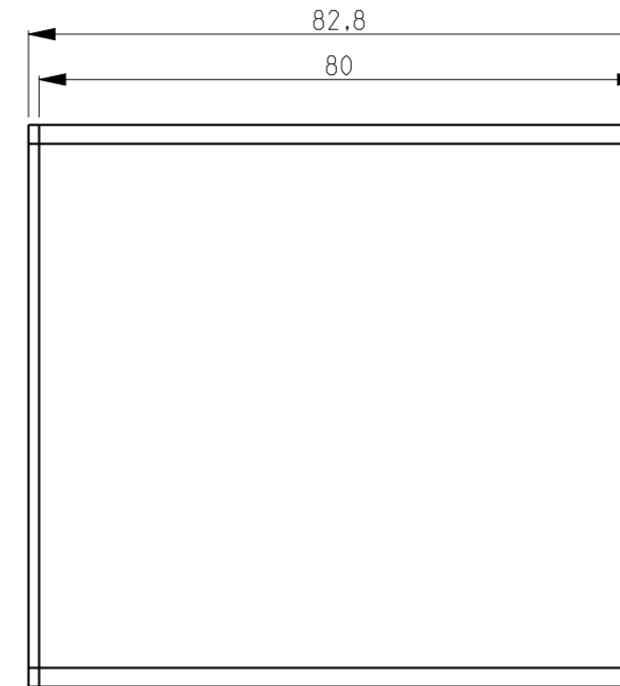


SCALE 2:1



Material: aluminum
 Finish: sandblasted or brushed
 Coating: anodized
 Color: black

00		ARTICLE CREATION			14/05/20	NIME
INDEX	CHANGE	DESCRIPTION OF MODIFICATION			DATE	NAME
ALL DIMENSIONS ARE IN MM						
General Tolerances ISO2768mK						
Nin.		0.5	30	120	315	
Dim.		30	120	315	1000	PUNCH BEND MILLING
Tol.		±0.2	±0.3	±0.5	±0.8	±0.15 ±0.25 ±0.05
PART NAME				J16-74W29H80L		
PROJECT				ALUMINUM HOUSING SET		
METRON TECHNICS				D1001452		
This document is confidential and may not be made use of by or communicated to third parties without permission of METRON TECHNICS						A2
					SHEET 1 OF 1	