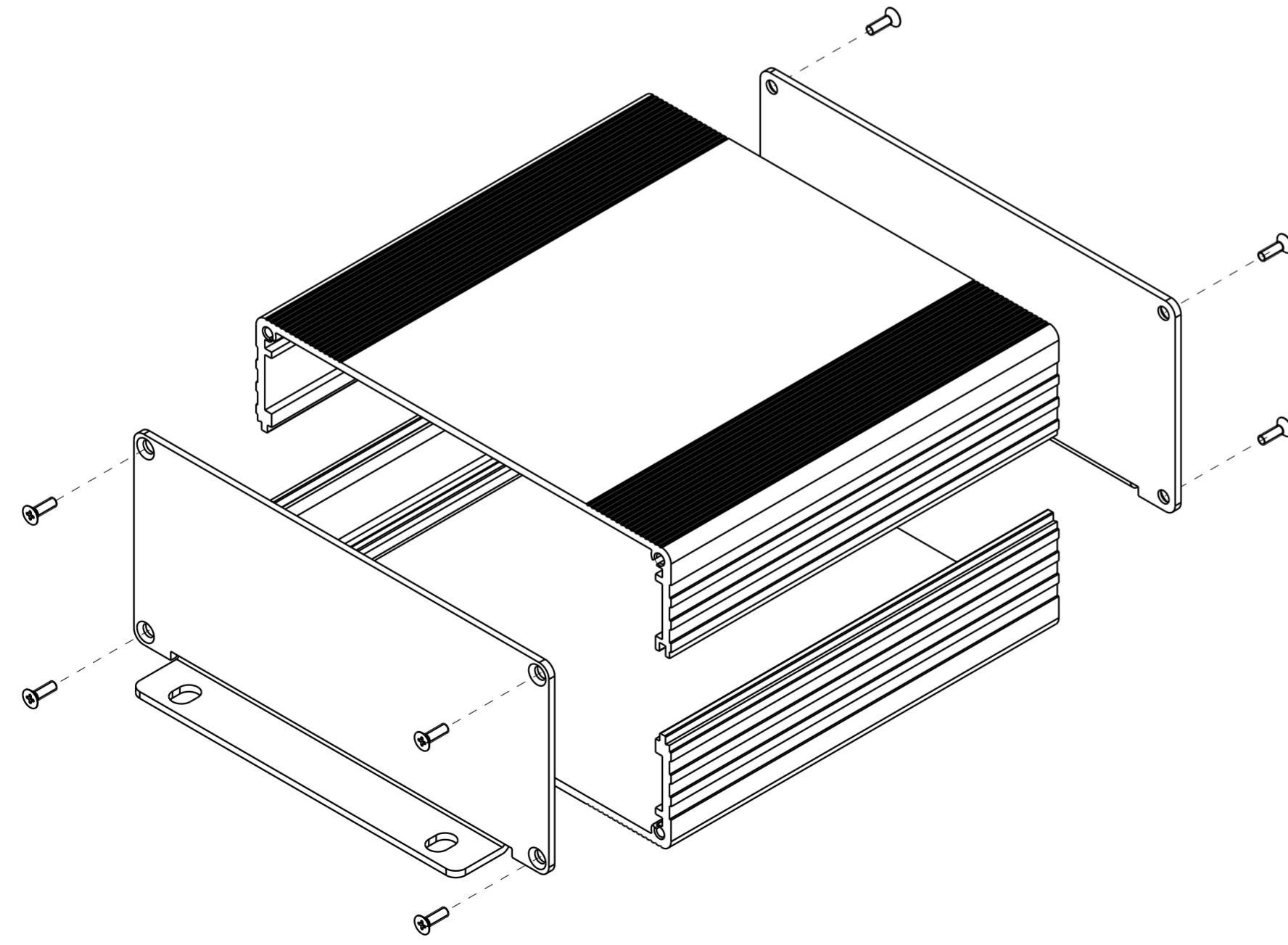
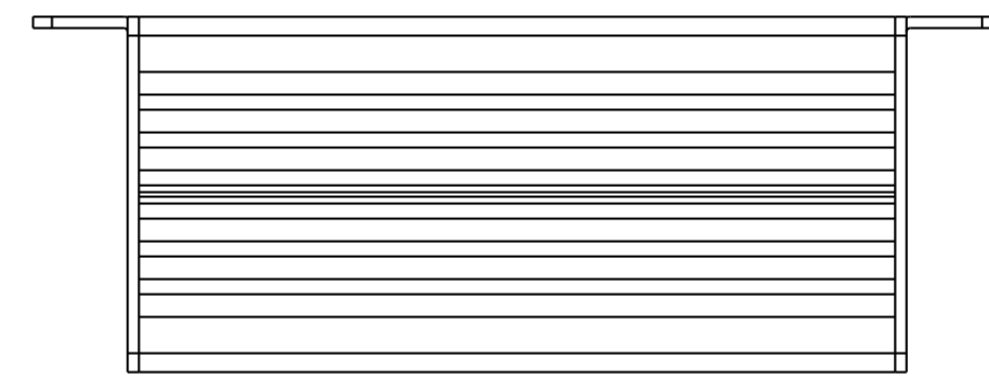
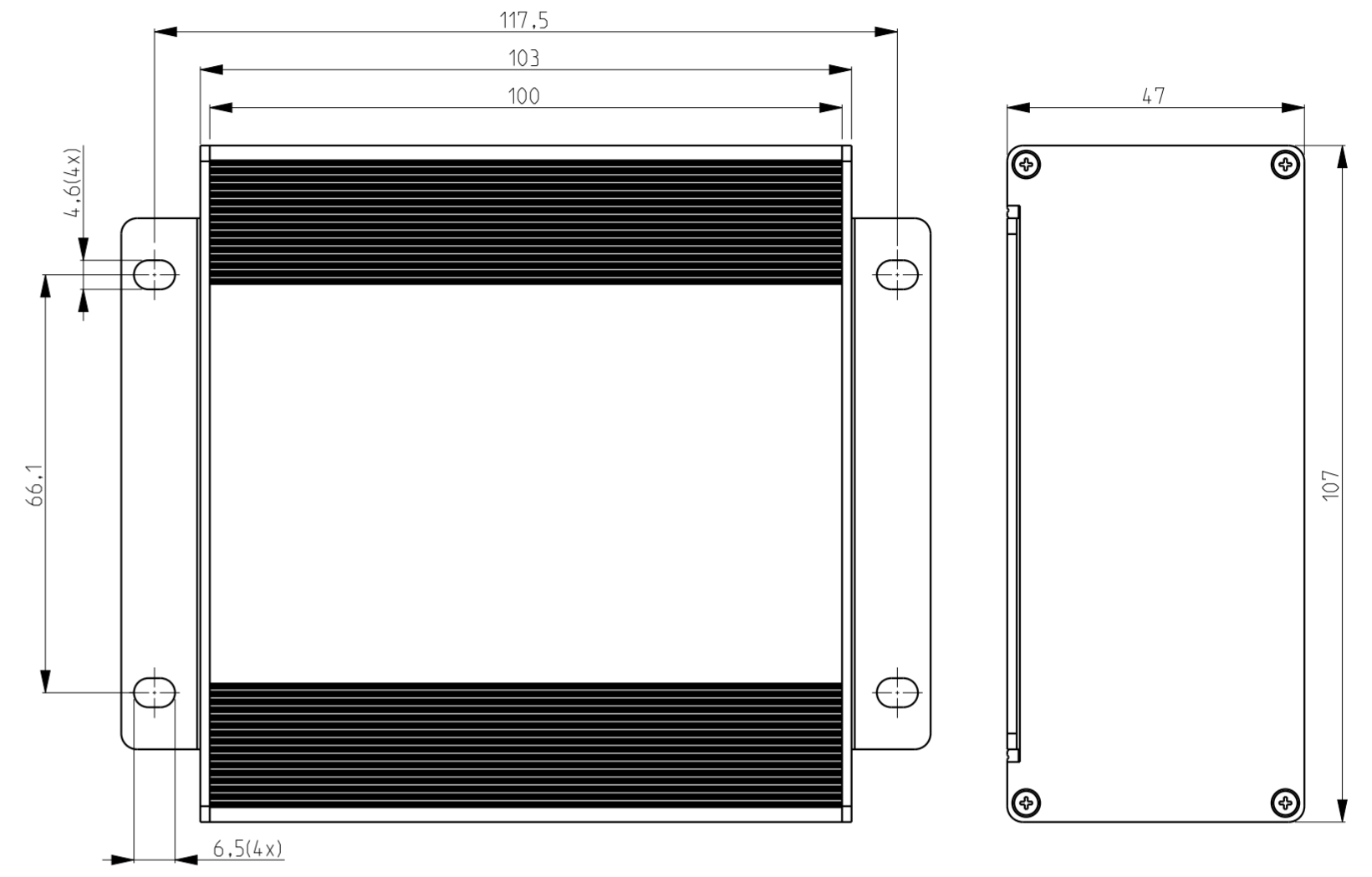


SCALE 2:1



Material: aluminum  
 Finish: sandblasted or brushed  
 Coating: anodized  
 Color: black

INDEX	CHANGE	DESCRIPTION OF MODIFICATION	DATE	NAME
00		ARTICLE CREATION	13/05/20	NIME
ALL DIMENSIONS ARE IN MM		PROJECTION (1st)	SCALE	MATERIAL
General Tolerances ISO2768mK			1:1	WEIGHT (Kg)
Nin.	0.5	30	120	315
Dim.	30	120	315	1000
Tol.	±0.2	±0.3	±0.5	±0.8
			±0.15	±0.25
			±0.05	
PART NAME			H20-107W47H100L	
PROJECT			ALUMINUM HOUSING SET	
<b>METRON TECHNICS</b>			D1001448	
SHEET 1 OF 1				A2

This document is confidential and may not be made use of by or communicated to third parties without permission of METRON TECHNICS