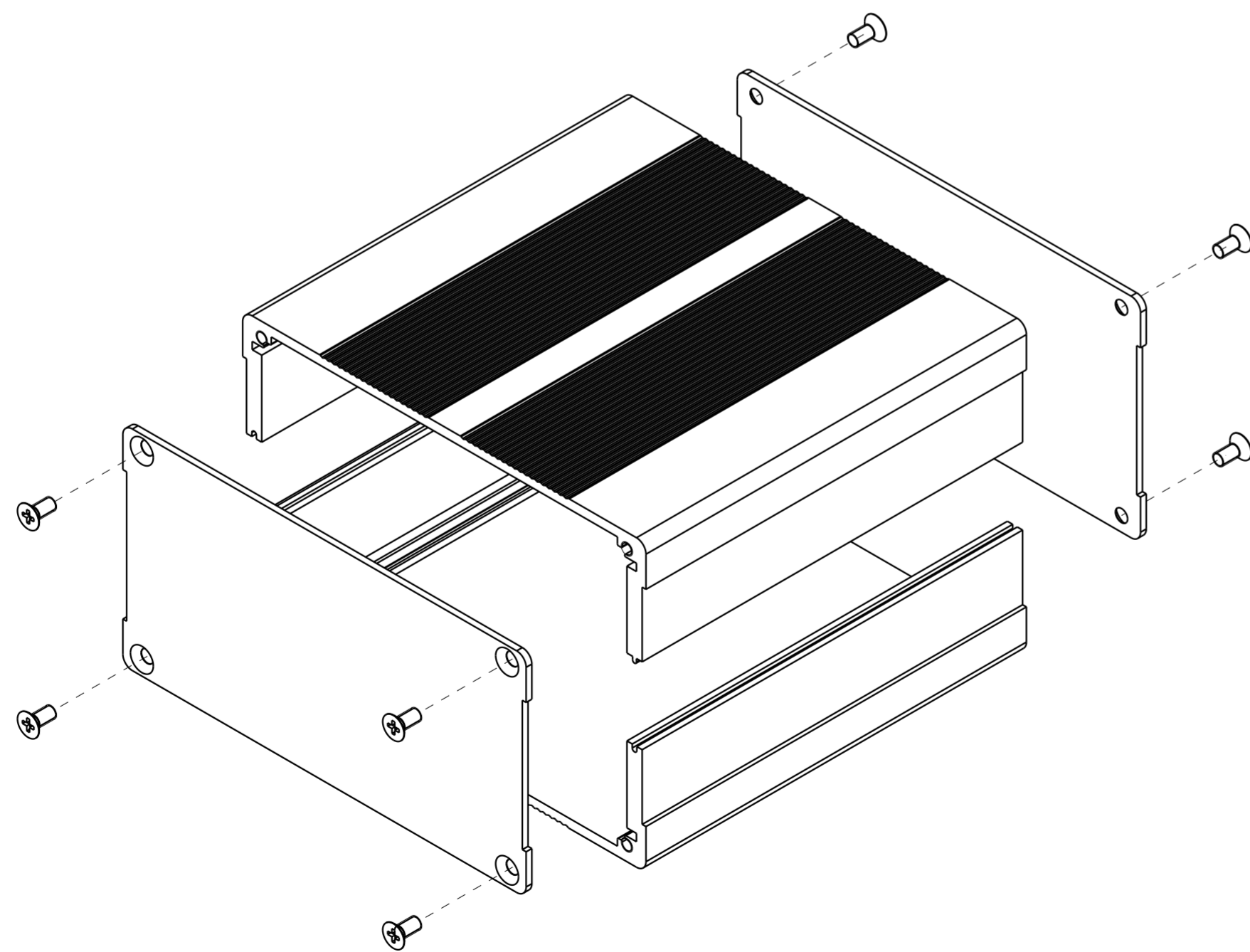
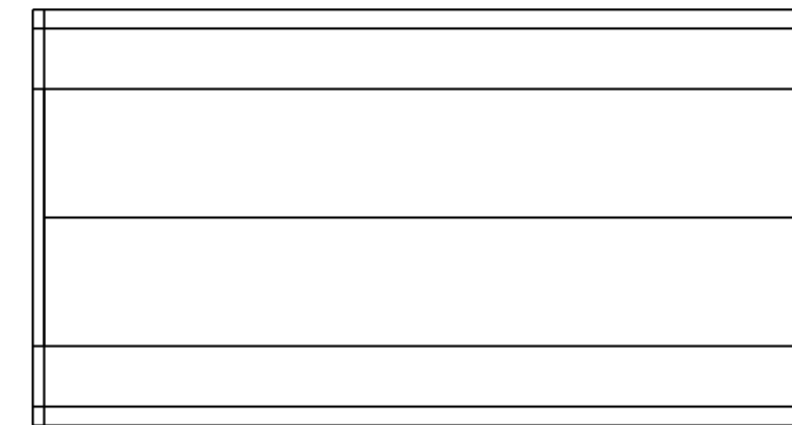
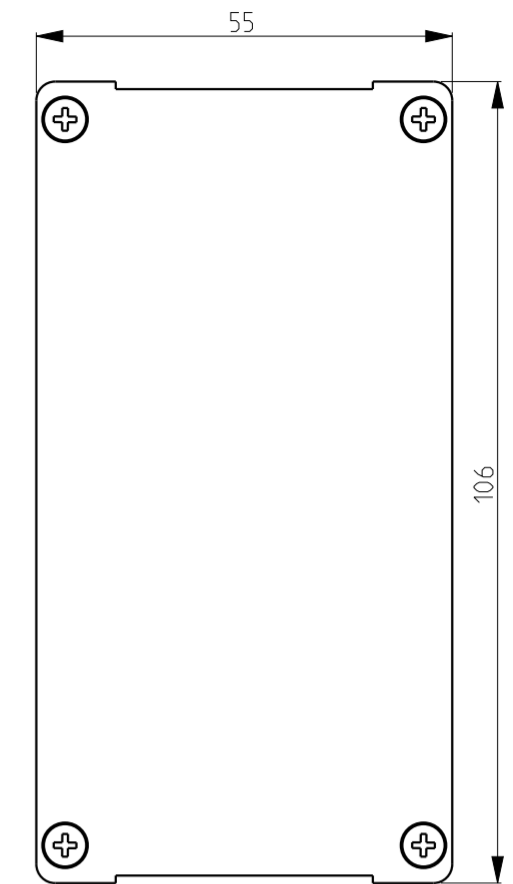
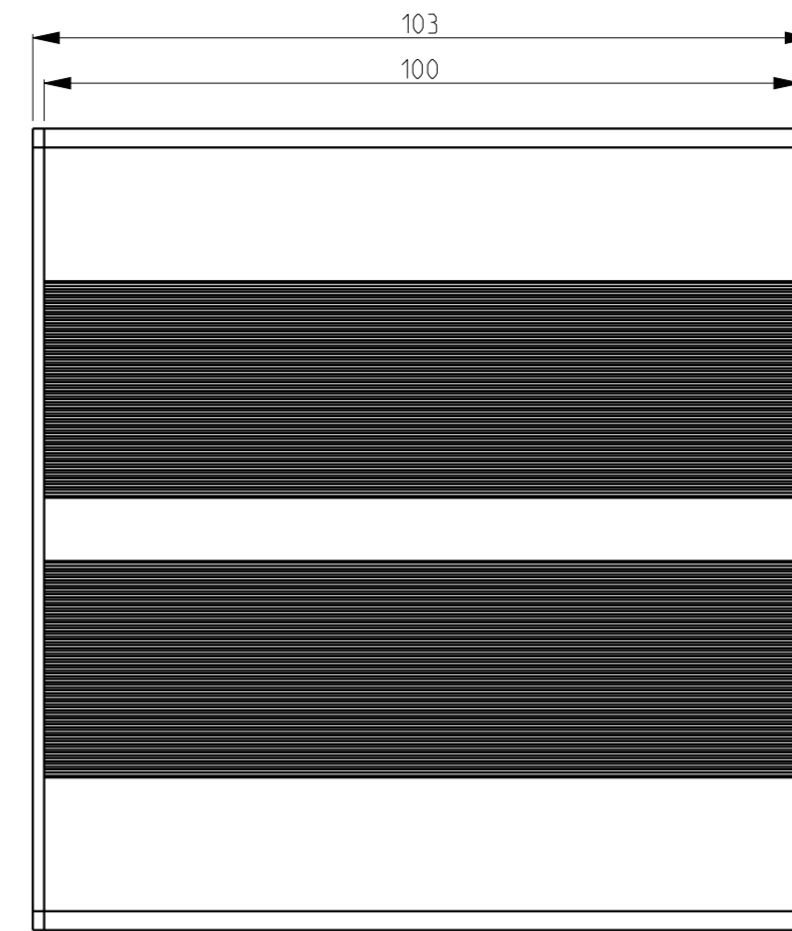




SCALE 2:1



Material: aluminum
 Finish: sandblasted or brushed
 Coating: anodized
 Color: black

INDEX	CHANGE	DESCRIPTION OF MODIFICATION	DATE	NAME
00		ARTICLE CREATION	13/05/20	NIME

ALL DIMENSIONS ARE IN MM					PROJECTION EURO		SCALE	MATERIAL	WEIGHT (Kg)	
General Tolerances ISO2768mK							1:1			
Nin.	0.5	30	120	315			PART NAME		H19-109W55H100L	
Dim.	30	120	315	1000	PUNCH	BEND	MILLING	PROJECT		ALUMINUM HOUSING SET
Tol.	±0.2	±0.3	±0.5	±0.8	±0.15	±0.25	±0.05	METRON TECHNICS		D1001447
<small>This document is confidential and may not be made use of by or communicated to third parties without permission of METRON TECHNICS</small>								SHEET 1 OF 1		A2