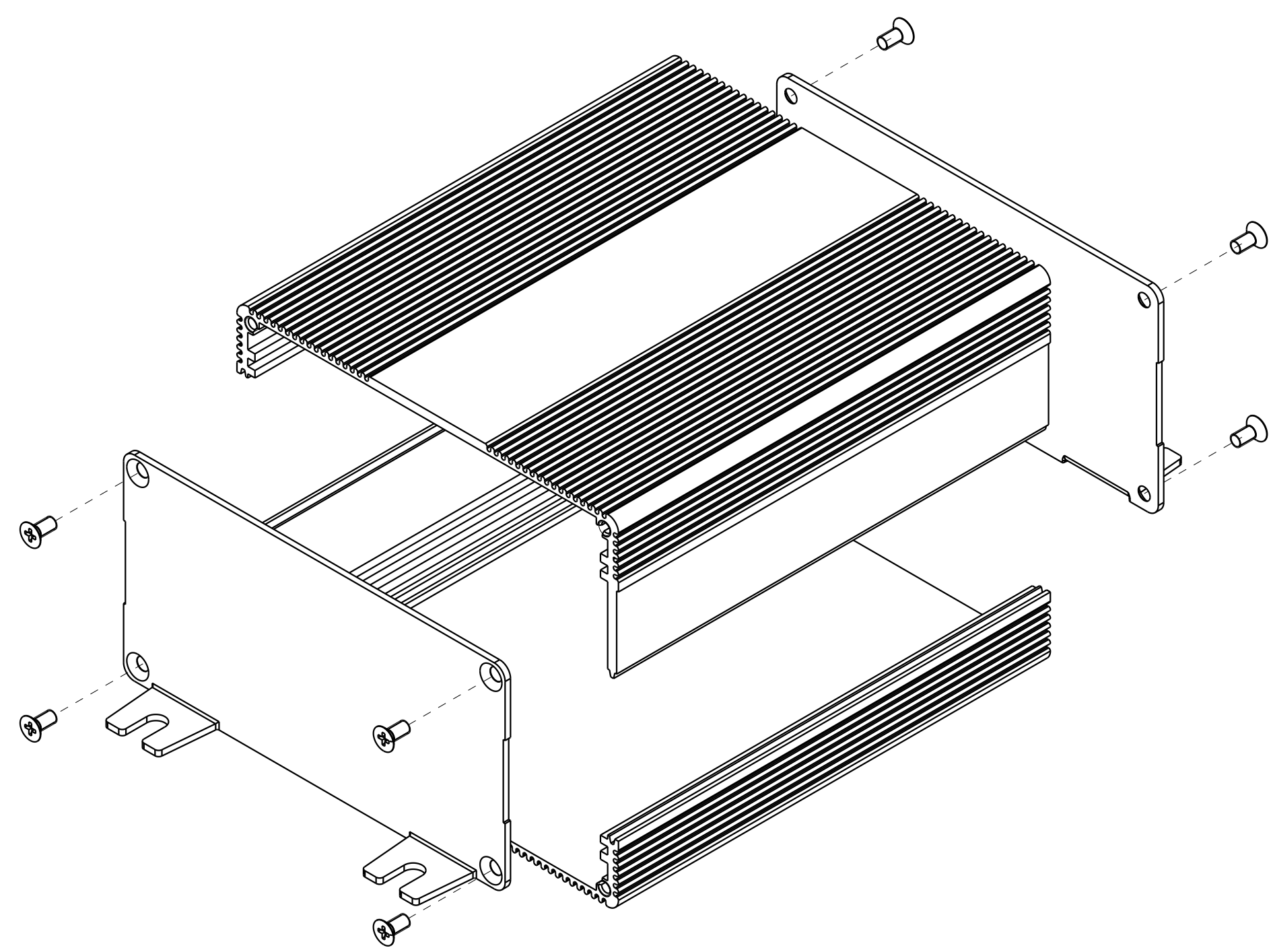
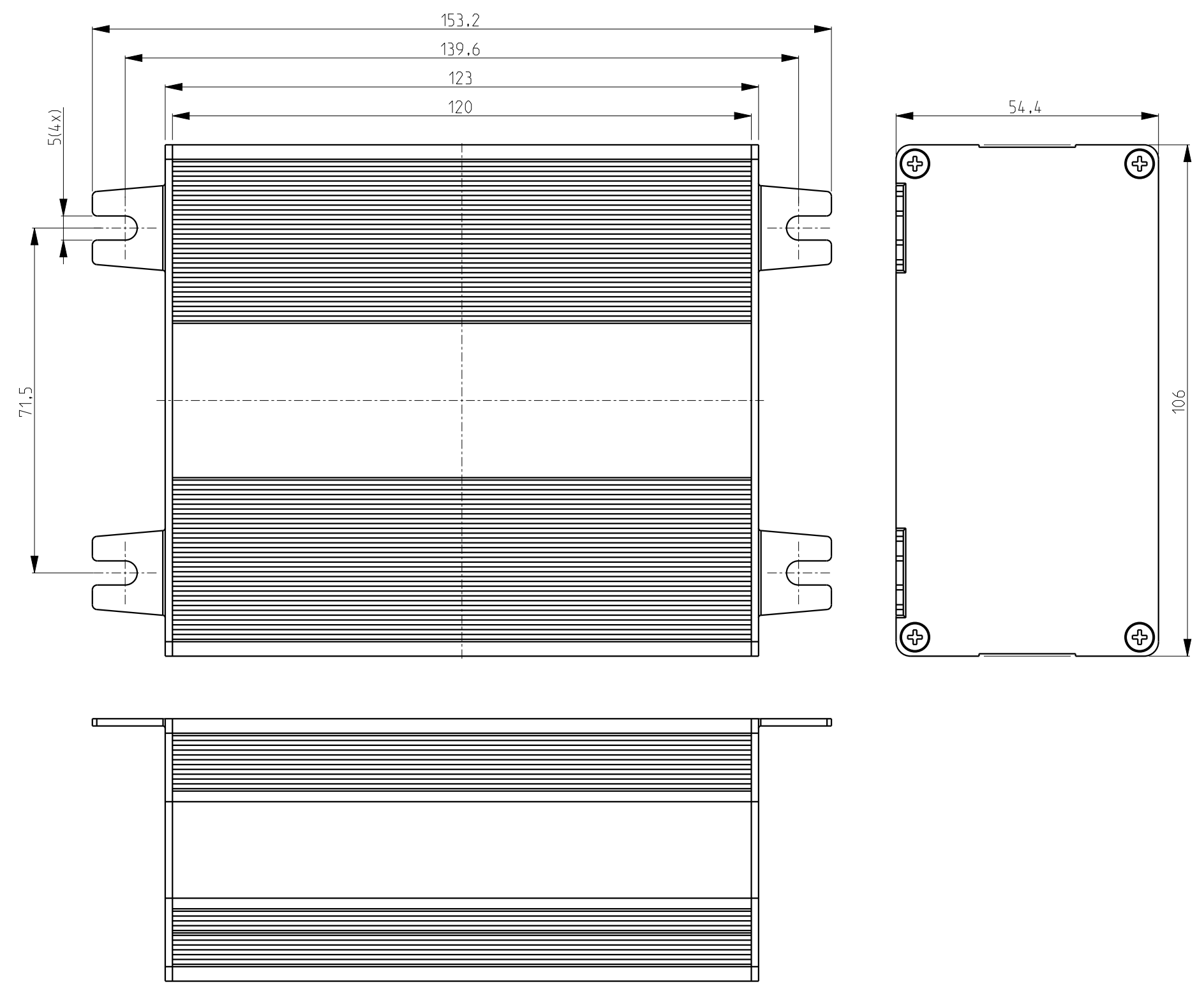


SCALE 2:1



Material: aluminum
 Finish: sandblasted or brushed
 Coating: anodized
 Color: black

00		ARTICLE CREATION			12/05/20	NIME	
INDEX	CHANGE	DESCRIPTION OF MODIFICATION				DATE	NAME
ALL DIMENSIONS ARE IN MM							
General Tolerances ISO2768mK							
		PROJECTION SYMBOL		SCALE	MATERIAL	WEIGHT (Kg)	
		1:1					
Nin.	0.5	30	120	315	PART NAME H18-106W54H120L		
Dim.	30	120	315	1000	PROJECT ALUMINUM HOUSING SET		
Tol.	±0.2	±0.3	±0.5	±0.8	D1001446		
					METRON TECHNICS		
					SHEET 1 OF 1		
					A2		

This document is confidential and may not be made use of by or communicated to third parties without permission of METRON TECHNICS