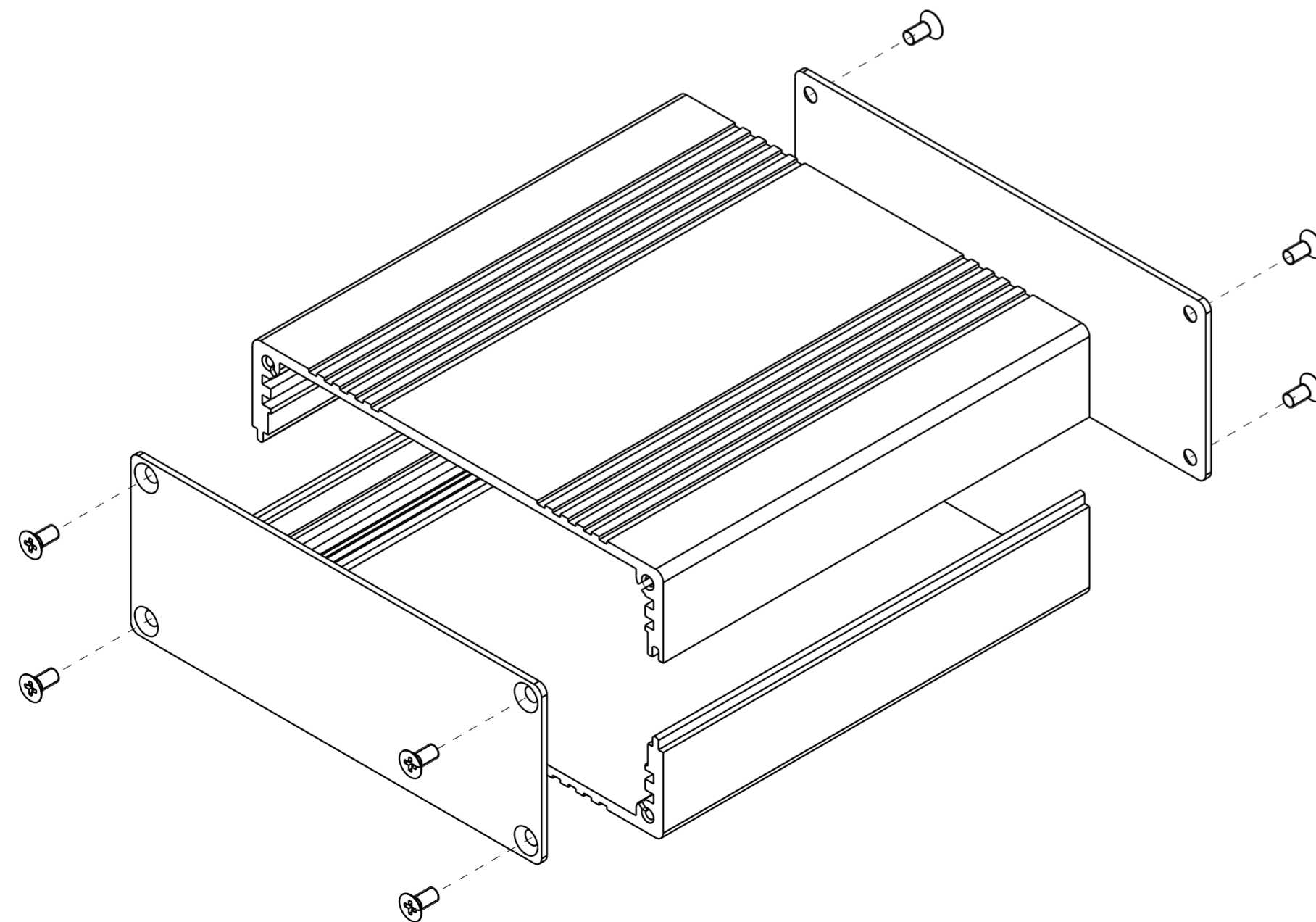
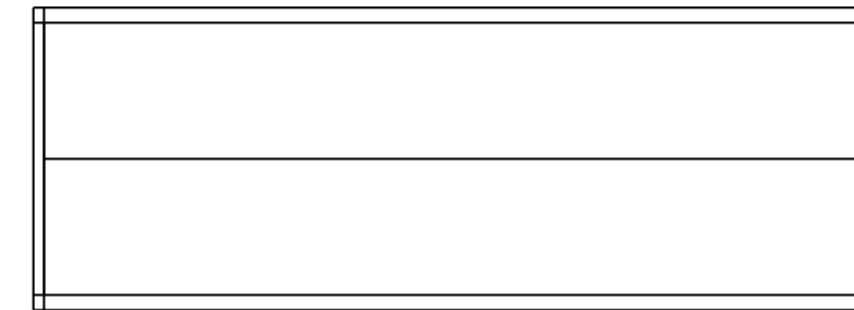
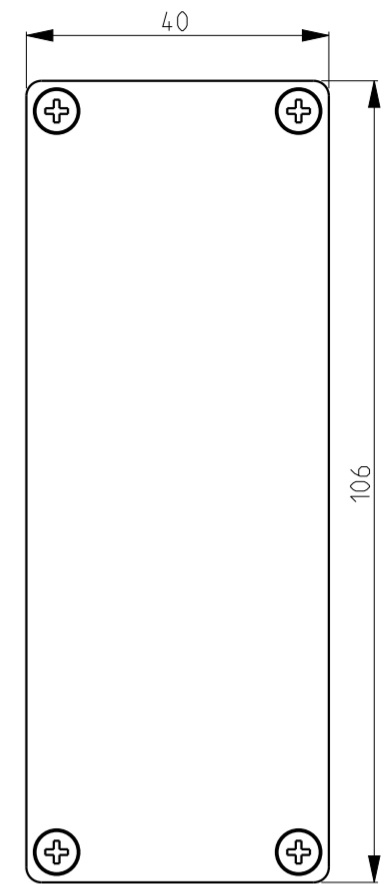
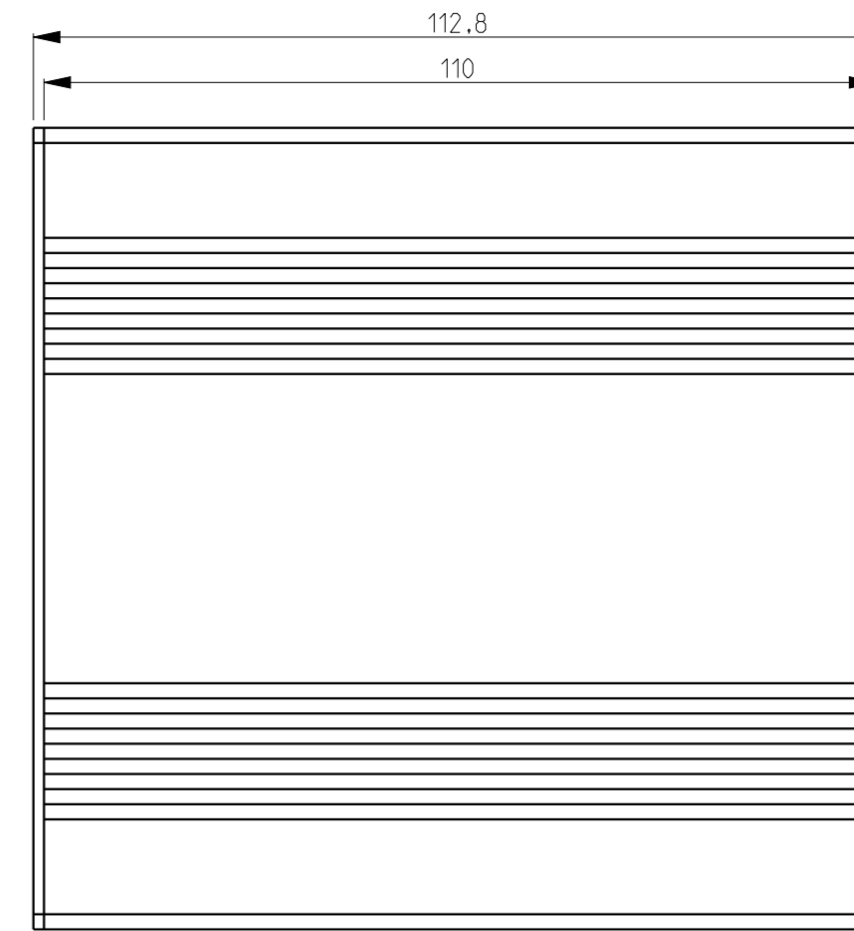


SCALE 2:1



Material: aluminum
 Finish: sandblasted or brushed
 Coating: anodized
 Color: black

INDEX	CHANGE	DESCRIPTION OF MODIFICATION	DATE	NAME																					
00		ARTICLE CREATION	12/05/20	NIME																					
ALL DIMENSIONS ARE IN MM																									
General Tolerances ISO2768mK																									
<table border="1"> <tr> <td>Nin.</td> <td>0.5</td> <td>30</td> <td>120</td> <td>315</td> </tr> <tr> <td>Dim.</td> <td>30</td> <td>120</td> <td>315</td> <td>1000</td> </tr> <tr> <td>Tol.</td> <td>±0.2</td> <td>±0.3</td> <td>±0.5</td> <td>±0.8</td> </tr> </table>			Nin.	0.5	30	120	315	Dim.	30	120	315	1000	Tol.	±0.2	±0.3	±0.5	±0.8	<table border="1"> <tr> <td>PUNCH</td> <td>BEND</td> <td>MILLING</td> </tr> <tr> <td>±0.15</td> <td>±0.25</td> <td>±0.05</td> </tr> </table>		PUNCH	BEND	MILLING	±0.15	±0.25	±0.05
Nin.	0.5	30	120	315																					
Dim.	30	120	315	1000																					
Tol.	±0.2	±0.3	±0.5	±0.8																					
PUNCH	BEND	MILLING																							
±0.15	±0.25	±0.05																							
<table border="1"> <tr> <td>PROJECTION</td> <td>1:1</td> </tr> </table>			PROJECTION	1:1	<table border="1"> <tr> <td>SCALE</td> <td>MATERIAL</td> <td>WEIGHT (Kg)</td> </tr> <tr> <td>1:1</td> <td></td> <td></td> </tr> </table>		SCALE	MATERIAL	WEIGHT (Kg)	1:1															
PROJECTION	1:1																								
SCALE	MATERIAL	WEIGHT (Kg)																							
1:1																									
PART NAME			H17-106W40H110L																						
PROJECT			ALUMINUM HOUSING SET																						
METRON TECHNICS			D1001445																						
<small>This document is confidential and may not be made use of by or communicated to third parties without permission of METRON TECHNICS</small>			SHEET 1 OF 1																						
			A2																						