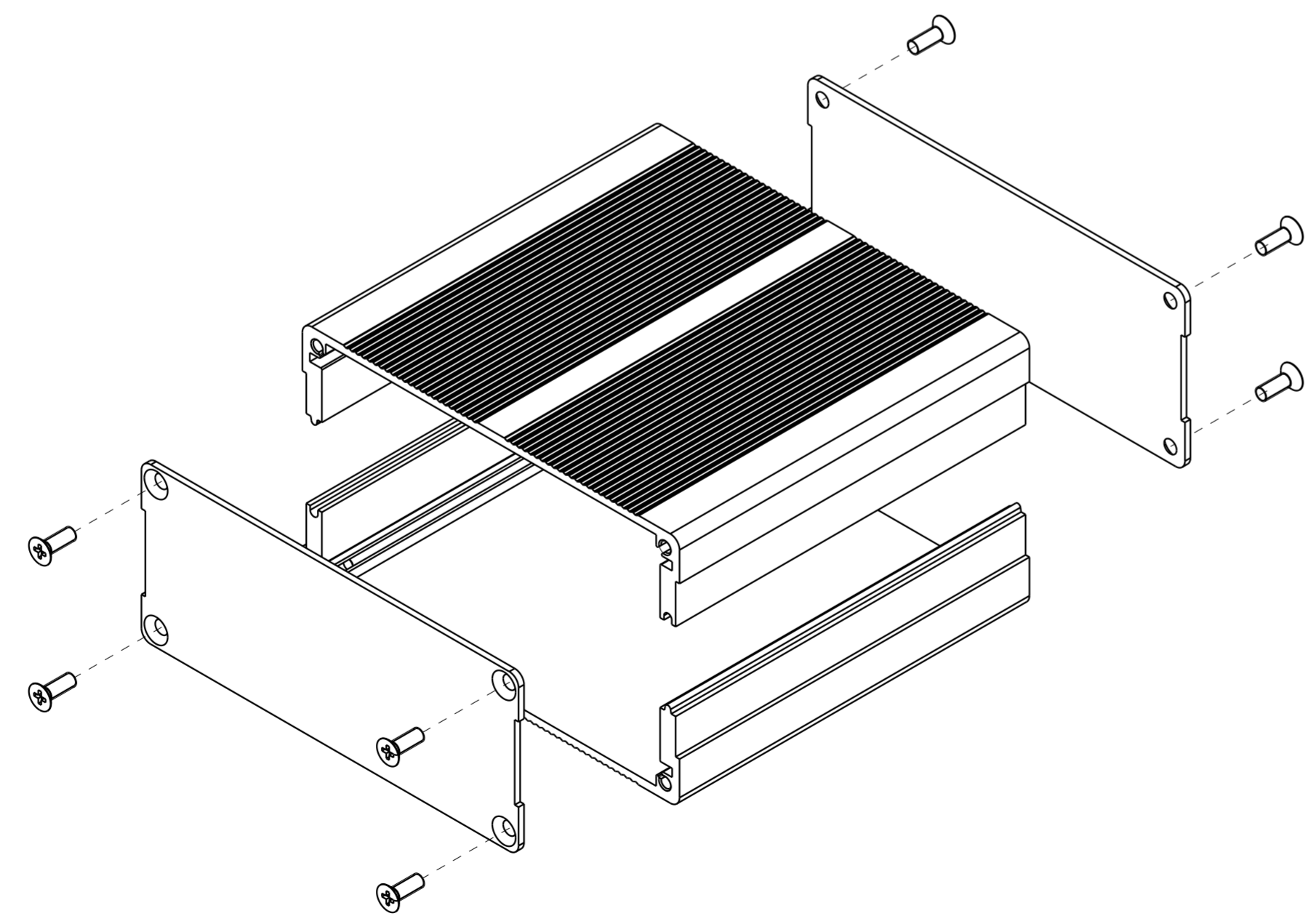
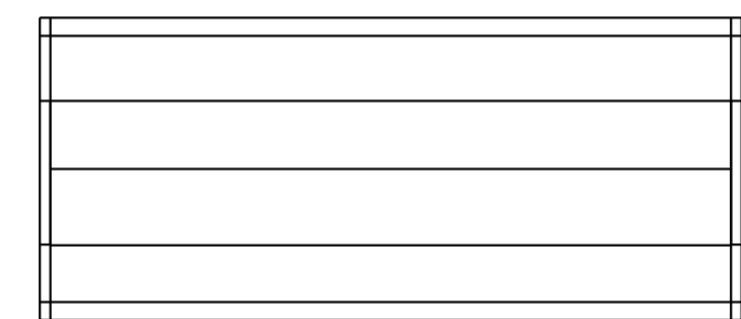
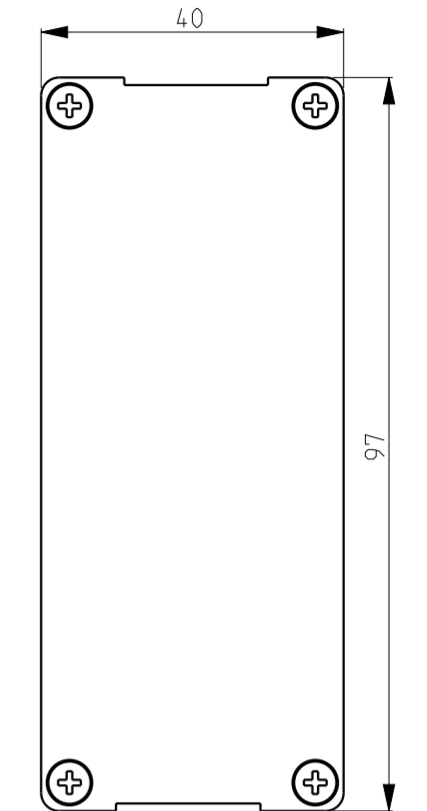
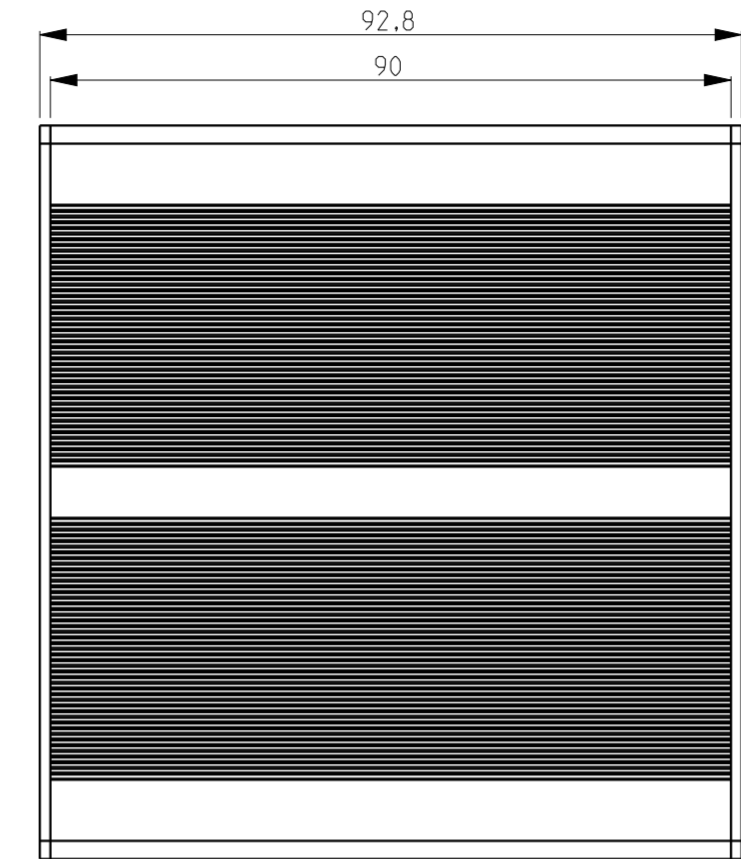


SCALE 2:1



Material: aluminum
Finish: sandblasted or brushed
Coating: anodized
Color: black

INDEX	CHANGE	DESCRIPTION OF MODIFICATION	DATE	NAME
00		ARTICLE CREATION	11/05/20	NIME
ALL DIMENSIONS ARE IN MM		PROJECTION (1st)	SCALE	MATERIAL
General Tolerances ISO2768mK			1:1	WEIGHT (Kg)
Nin.	0.5	30	120	315
Dim.	30	120	315	1000
Tol.	±0.2	±0.3	±0.5	±0.8
			±0.15	±0.25
			±0.05	
PART NAME			H14-97W40H90L	
PROJECT			ALUMINUM HOUSING SET	
METRON TECHNICS			D1001442	
This document is confidential and may not be made use of by or communicated to third parties without permission of METRON TECHNICS				SHEET 1 OF 1
				A2