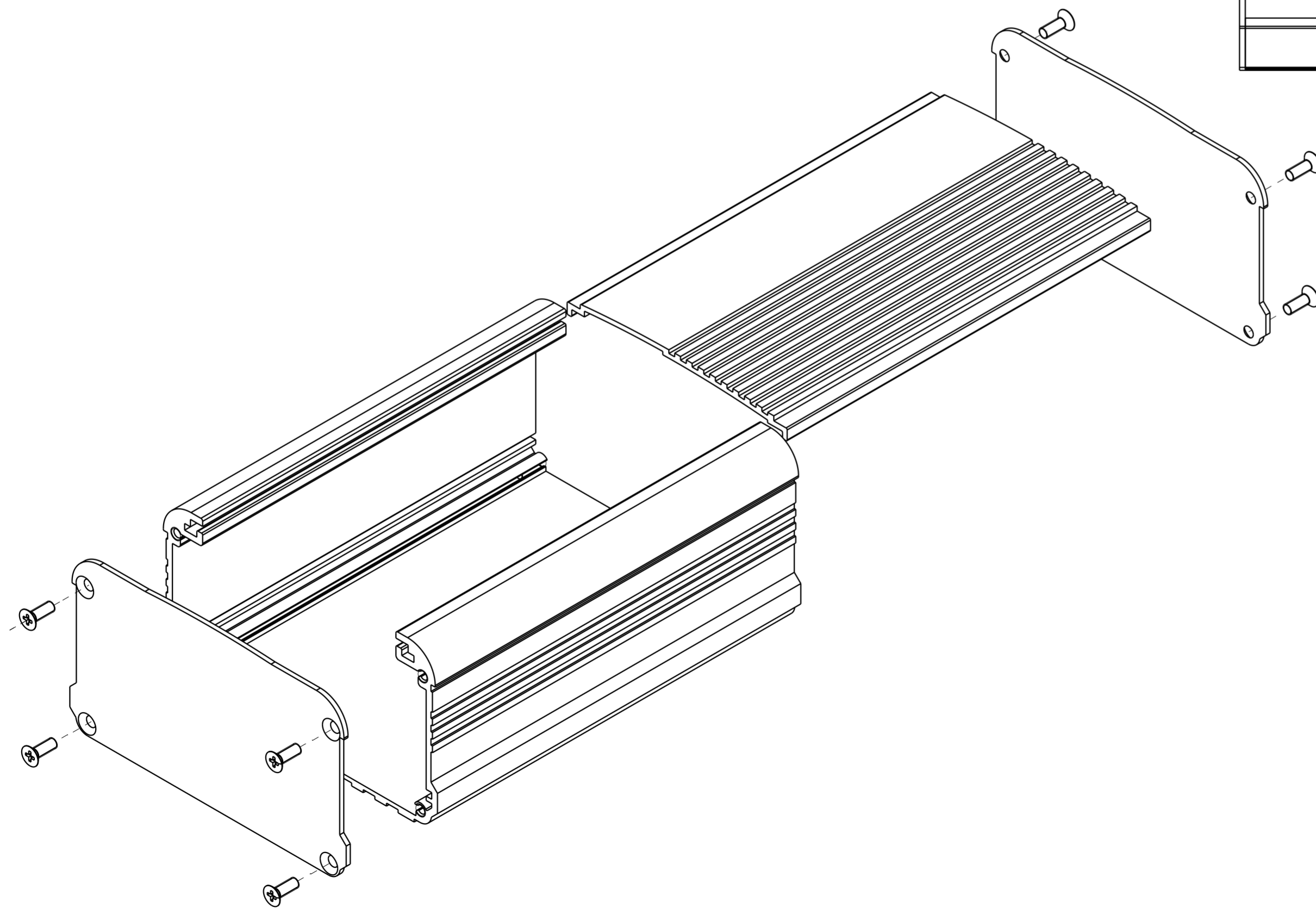
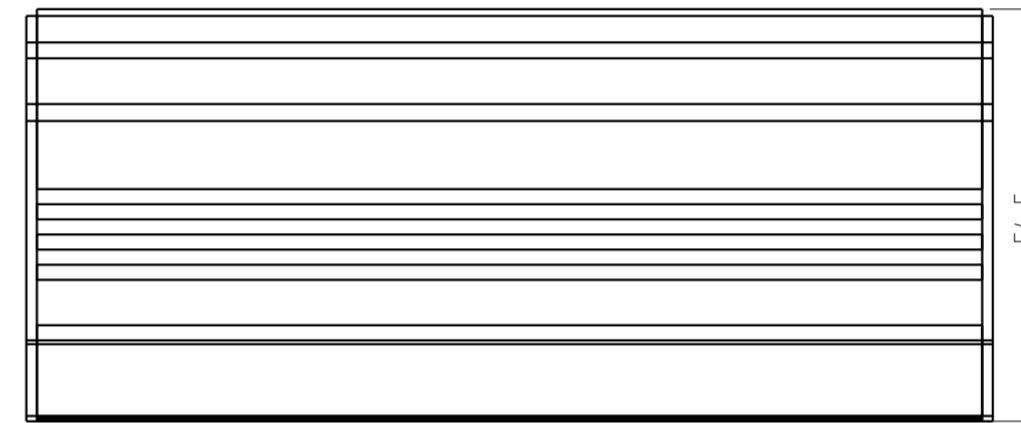
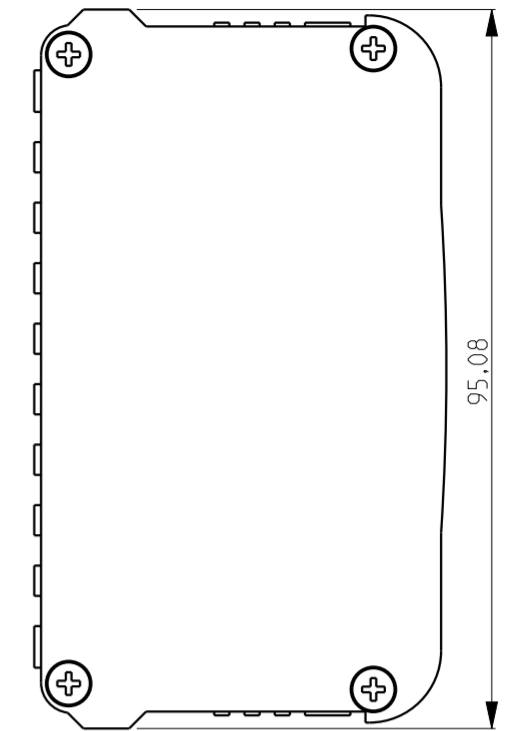
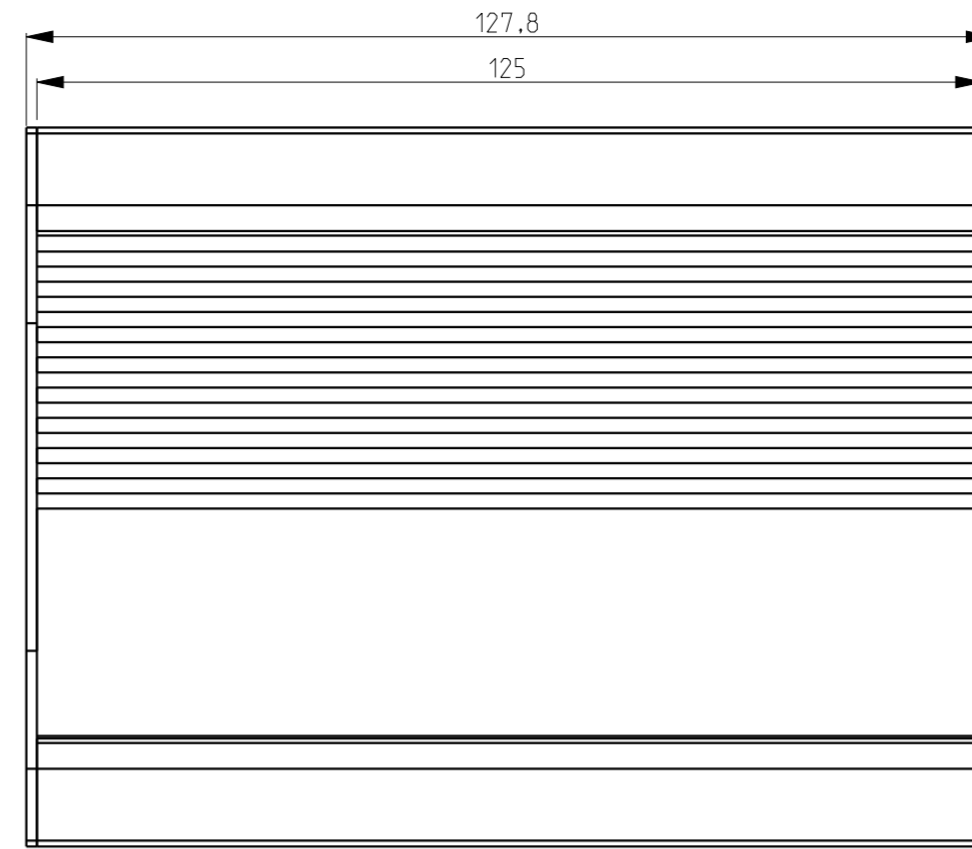


SCALE 2:1



Material: aluminum
 Finish: sandblasted or brushed
 Coating: anodized
 Color: black

00		ARTICLE CREATION			11/05/20	NIME
INDEX	CHANGE	DESCRIPTION OF MODIFICATION			DATE	NAME
ALL DIMENSIONS ARE IN MM				PROJECTION (1st)	SCALE	MATERIAL
General Tolerances ISO2768mK					1:1	WEIGHT (Kg)
Nin.	0.5	30	120	315	PART NAME H12-95W55H125L	
Dim.	30	120	315	1000	PROJECT ALUMINUM HOUSING SET	
Tol.	±0.2	±0.3	±0.5	±0.8	D1001440	
					METRON TECHNICS	
					SHEET 1 OF 1	
					A2	