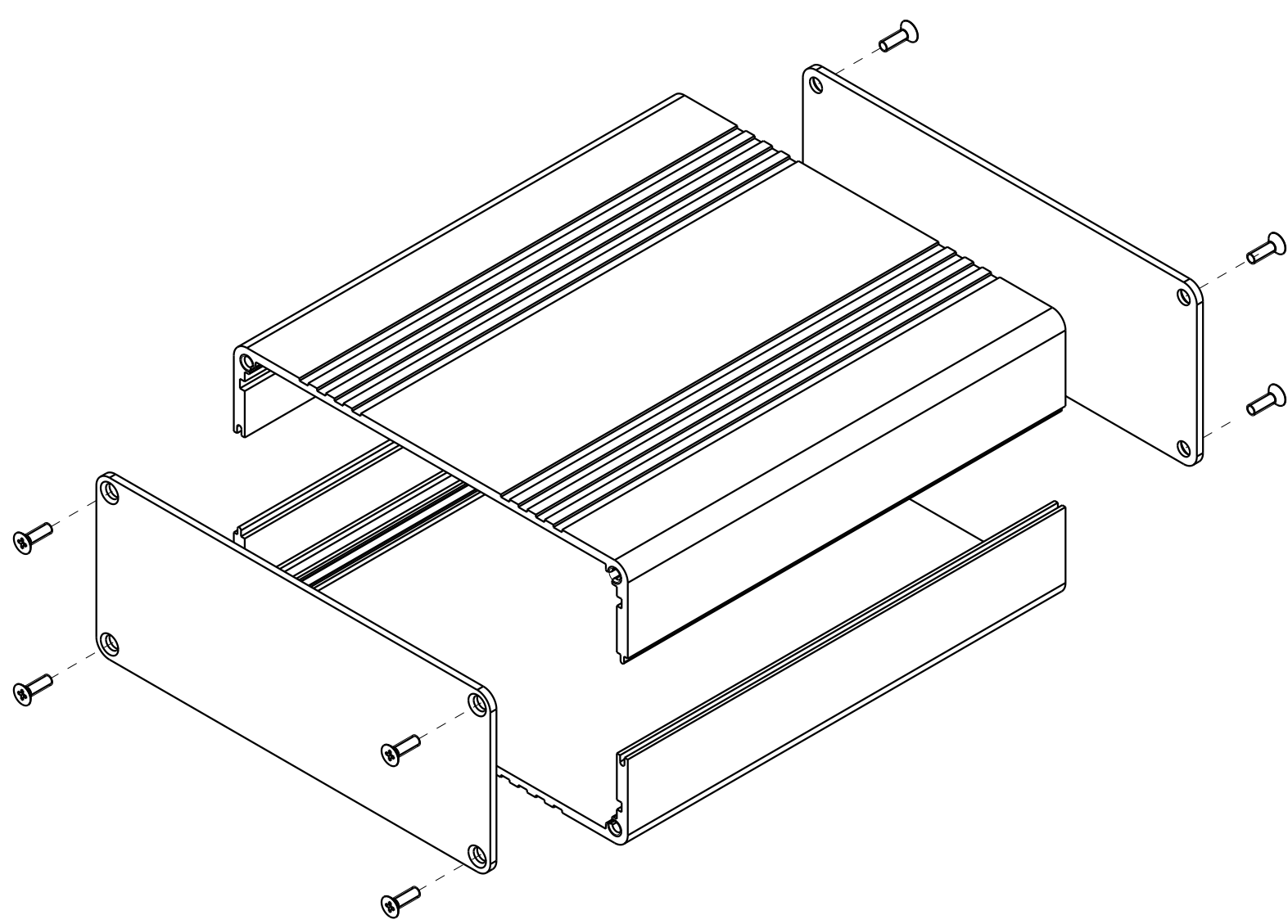
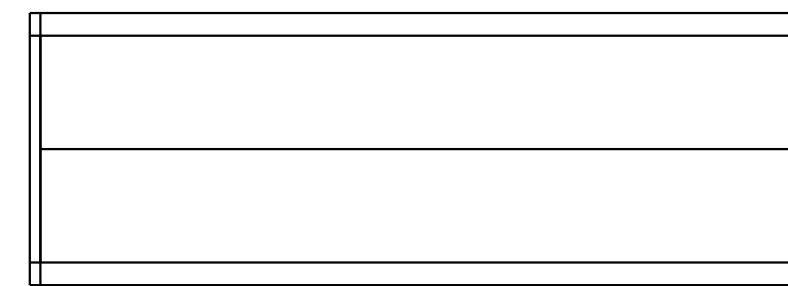
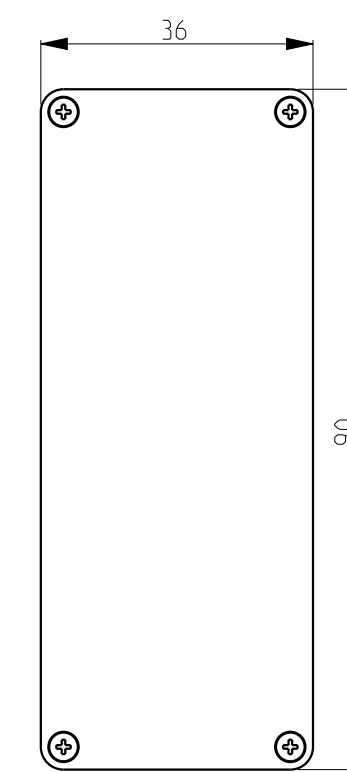
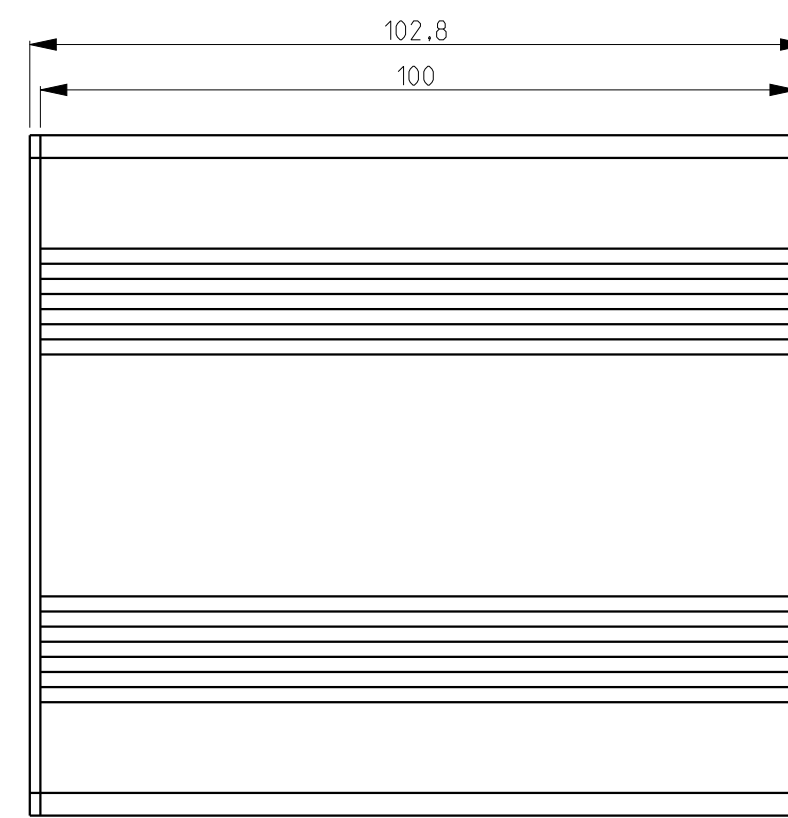


SCALE 2:1



Material: aluminum
 Finish: sandblasted or brushed
 Coating: anodized
 Color: black

00		ARTICLE CREATION				08/05/20	NIME
INDEX	CHANGE	DESCRIPTION OF MODIFICATION				DATE	NAME
ALL DIMENSIONS ARE IN MM							
General Tolerances ISO2768mK							
PROJECTION		SCALE	MATERIAL	WEIGHT (Kg)			
1:1		1:1					
Nin.	0.5	30	120	315	PART NAME		
Dim.	30	120	315	1000	H11-90W36H110L		
Tol.	±0.2	±0.3	±0.5	±0.8	PROJECT		
				±0.15 ±0.25 ±0.05	ALUMINUM HOUSING SET		
METRON TECHNICS				D1001439			
This document is confidential and may not be made use of by or communicated to third parties without permission of METRON TECHNICS						SHEET 1 OF 1	A2