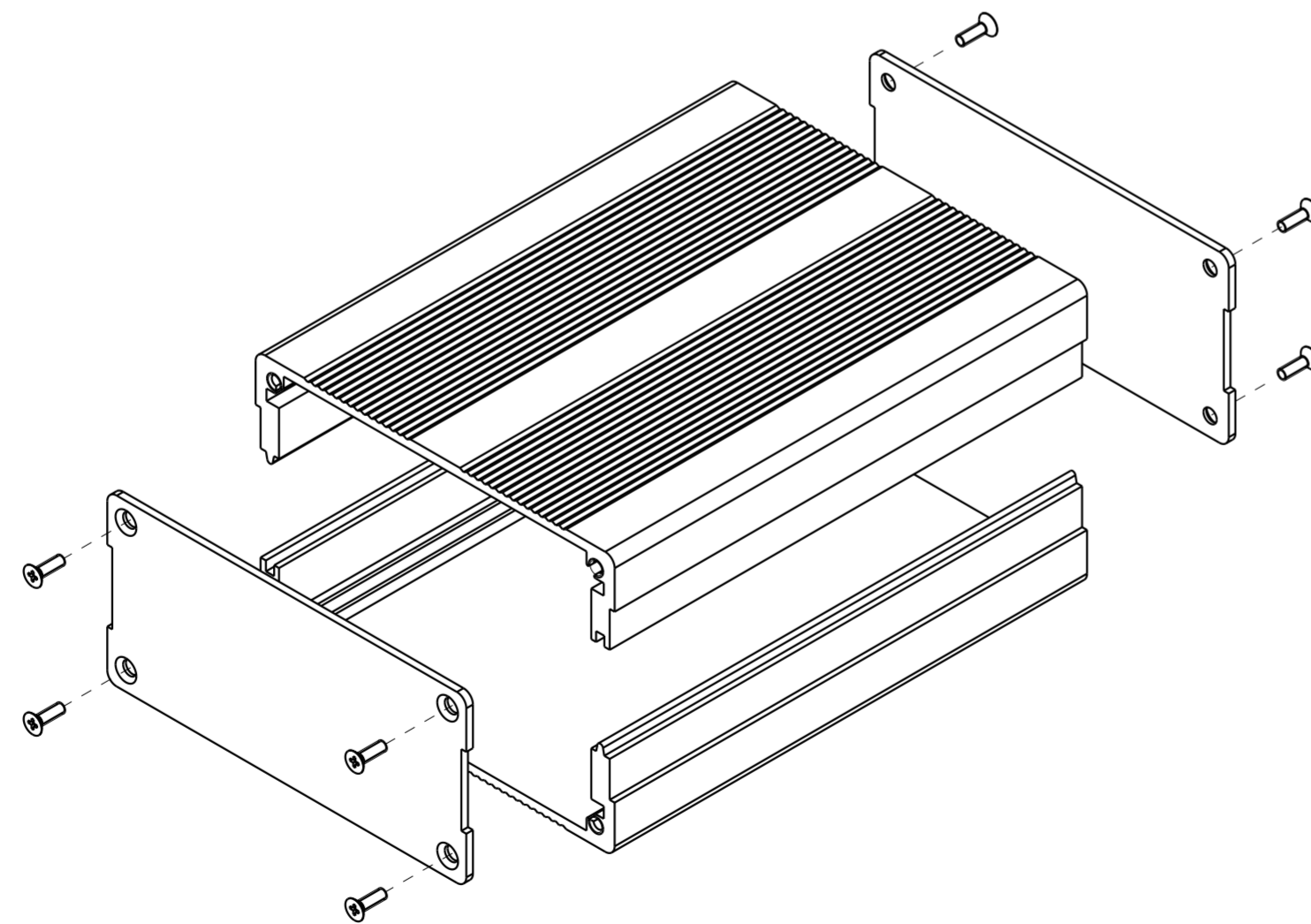
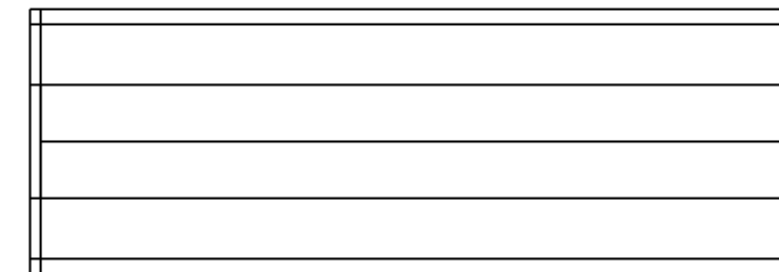
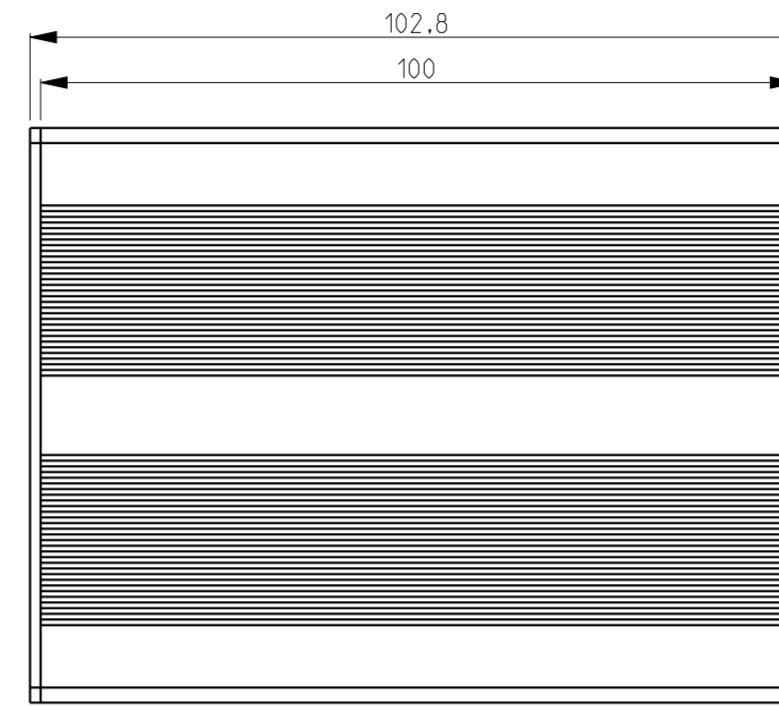


SCALE 2:1



Material: aluminum
 Finish: sandblasted or brushed
 Coating: anodized
 Color: black

INDEX	CHANGE	DESCRIPTION OF MODIFICATION	DATE	NAME
00		ARTICLE CREATION	08/05/20	NIME
		ALL DIMENSIONS ARE IN MM	SCALE	MATERIAL
		General Tolerances ISO2768mK	1:1	WEIGHT (Kg)
Nin.	0.5	30 120 315	PART NAME H8-76W35H100L	
Dim.	30	120 315 1000 PUNCH BEND MILLING	PROJECT ALUMINUM HOUSING SET	
Tol.	±0.2	±0.3 ±0.5 ±0.8 ±0.15 ±0.25 ±0.05	PROJECT ALUMINUM HOUSING SET	
METRON TECHNICS			D1001436	
This document is confidential and may not be made use of by or communicated to third parties without permission of METRON TECHNICS				A2
			SHEET 1 OF 1	