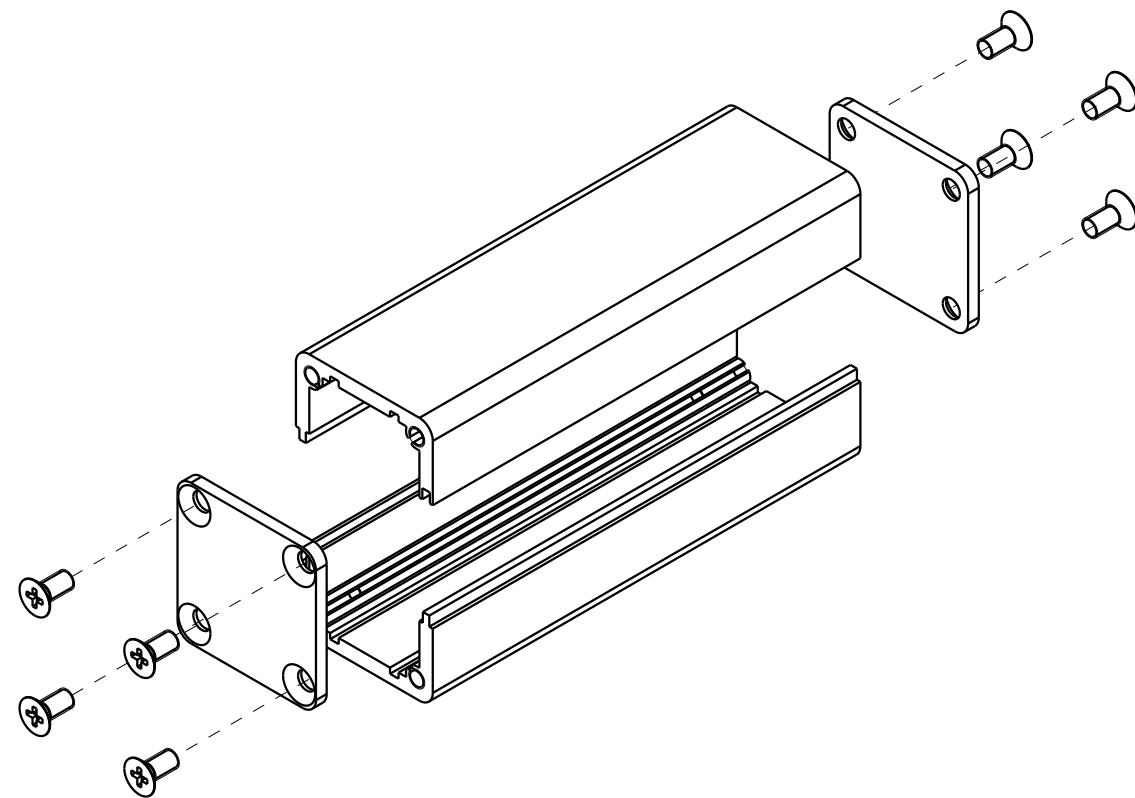
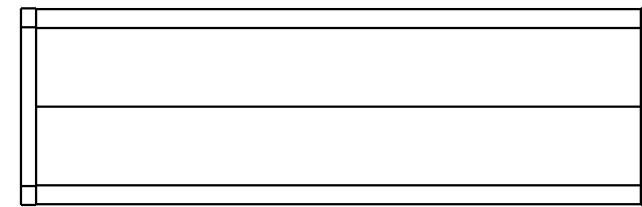
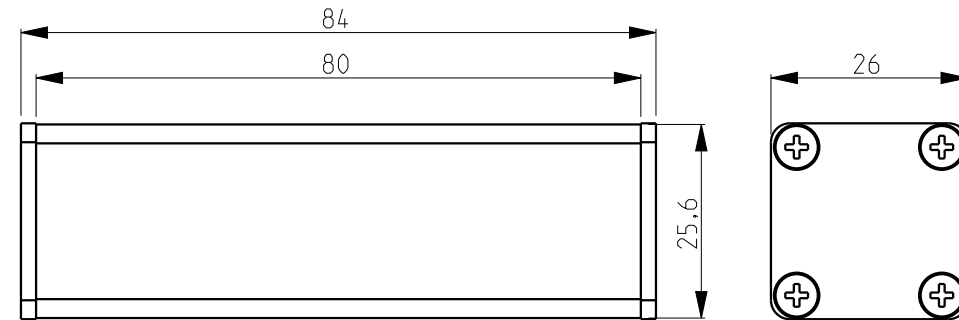


SCALE 2:1



Material: aluminum
 Finish: sandblasted or brushed
 Coating: anodized
 Color: black

00		ARTICLE CREATION				04/05/20		NIME			
INDEX	CHANGE	DESCRIPTION OF MODIFICATION						DATE	NAME		
ALL DIMENSIONS ARE IN MM								PROJECTION EURO	SCALE	MATERIAL	WEIGHT (Kg)
General Tolerances ISO2768mK									1:1		
Nin.	0.5	30	120	315				PART NAME			
Dim.	30	120	315	1000	PUNCH	BEND	MILLING	HI-25W25H80L			
Tol.	±0.2	±0.3	±0.5	±0.8	±0.15	±0.25	±0.05	PROJECT			
METRON TECHNICS								D1001431			
This document is confidential and may not be made use of by or communicated to third parties without permission of Metron Technics											
								SHEET 1 OF 1			
A3											